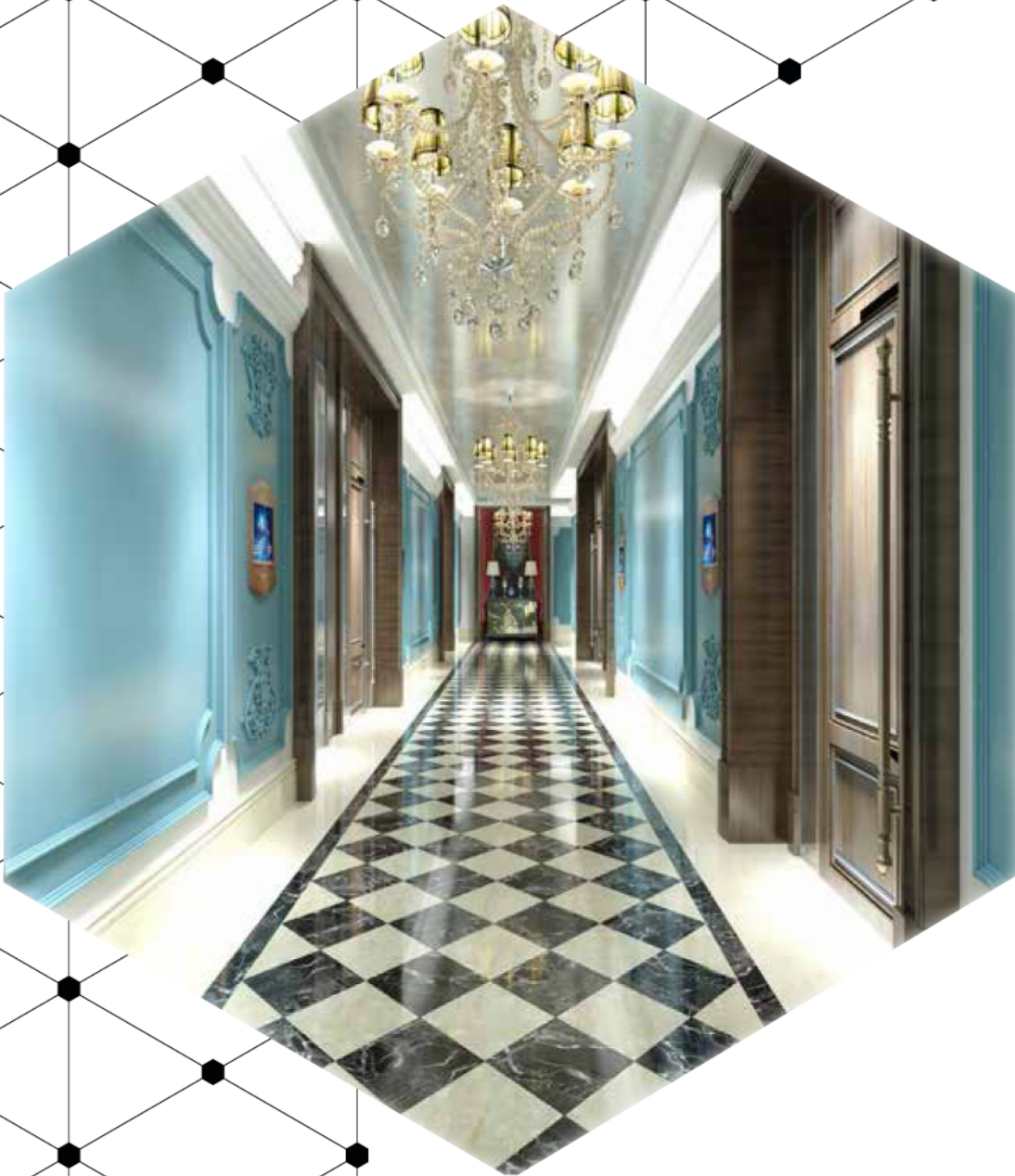


USER MANUAL
&
ASSEMBLY INSTRUCTIONS

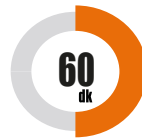


Indoor Life[®]

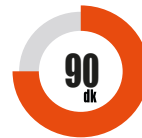
HESTIA COLLECTION



E 30
EI₁ 30
EI₂ 30



E 60
EI₁ 60
EI₂ 60



E 90
EI₁ 90
EI₂ 90

EI30 

EI60 

EI90 

INTRODUCTORY	02
RULES TO BE CONSIDERED DURING CARRIAGE AND TRANSPORTATION	03
GENERAL INFORMATION ABOUT USAGE ERRORS	03
WARNINGS ABOUT HAZARDOUS CONDITIONS FOR HUMAN AND ENVIRONMENTAL HEALTH DURING USE	03
MAINTENANCE OF FIRE RESISTANT WOODEN DOOR	04
TERMS OF GUARANTEE	04
LABEL CONTROL	05
TEST PROCEDURE	06
CONSTRUCTION OPENING DIMENSIONS PERMITTED FOR FIRE DOORS	07
FIRE DOOR FRAME & LEAF SEAL DIMENSIONS	07
DOOR PRODUCTION DIMENSIONS PERMITTED FOR FIRE DOORS	08
FIRE RESISTANT WOODEN DOOR TERMINOLOGY	09
Indoor Life F30 EI _{1,30} EI _{2,30} / WITH ON-SURFACE DOOR CLOSER	10 - 11
Indoor Life F30 ASSEMBLY INSTRUCTIONS & TECHNICAL DRAWING GALLERY	12 - 17
Indoor Life F30G EI _{1,30} EI _{2,30} / WITH CONCEALED DOOR CLOSER	18 - 19
Indoor Life F30G ASSEMBLY INSTRUCTIONS & TECHNICAL DRAWING GALLERY	20 - 25
Indoor Life F60 EI _{1,60} EI _{2,60} / WITH ON-SURFACE DOOR CLOSER / 1-LEAF	26 - 27
Indoor Life F60 ASSEMBLY INSTRUCTIONS & TECHNICAL DRAWING GALLERY	28 - 33
Indoor Life F60 EI _{1,60} EI _{2,60} / WITH ON-SURFACE DOOR CLOSER / 1.5-LEAF	34 - 35
Indoor Life F60 ASSEMBLY INSTRUCTIONS & TECHNICAL DRAWING GALLERY	36 - 43
Indoor Life F90 EI _{1,90} EI _{2,90} / WITH ON-SURFACE DOOR CLOSER	44 - 45
Indoor Life F90 ASSEMBLY INSTRUCTIONS & TECHNICAL DRAWING GALLERY	46 - 51

INTRODUCTORY

Fire Resistance Class: Determines the duration of fire resistance which is determined as a result of fire resistance tests specified in the European Standards under appropriate heating and pressure conditions of a building.

Fire resistance duration for;

- a) 30-50 minutes are documented as EI30
- b) 60-89 minutes are documented as EI60
- c) 90-119 minutes are documented as EI90
- d) 120-149 minutes are documented as EI120

In addition to its own documents, offers service to the entire world with the Qmark / International Fire Door Manufacture to BS 476-22 document of BM TRADA, the most trusted institution in Europe, the Middle East and in Turkey with

- a) Qmark – FD30
- b) Qmark – FD60
- c) Qmark – FD90
- d) Qmark – FD120 ratings.

The objective of the Fire Code is to provide organization, training and supervision by taking pre and post fire measures and by making it possible to put out any type of fire that might outbreak during creating, building, operating and using processes in all kinds of constructions, buildings and facilities used by public and private institutions & organizations and real people.

Fire resistant and smoke-proof wooden doors are doors that isolate a room/living space from the room that the fire may outbreak, and ensure the safety and security of the people in the building for a certain period of time.

In accordance with the fire code; we offer fire door solutions for hospitals, dormitories, schools, shaft doors, high-rise building entrances, fire halls, etc. According to the regulations, the smoke and fire resistance rates can change from 30 minutes to 120 minutes. 30 Minutes, 60 Minutes or 90 Minutes fire resistance options are available depending upon the situation, and place the door is used.

Human safety & security comes before everything. Fire resistant doors are instrumental in keeping the fire under control, and have an important place in minimizing possible damages and casualties. Fire doors keep the fire at a certain area, preventing it from spreading to another section of the building, and decrease the risk factor for the residents in the building by bringing the fire under control and slowing down the spreading speed of the fire.

Fire doors require expertise from the very beginning of the production to the final touches in the installation process. Each and every stage of the production and installation has to be well in hands of experts.

All of our fire doors are subjected to fire resistance tests at internationally accredited testing laboratories, and certified with EI30 – EI60 – EI90 Fire Resistance Certification Documents.

Following all these processes, serial production process can be commenced. As Indoor Life, if we have produced a model specific for your project, than we start the whole process from the beginning and get a whole new certificate for your specific model.

RULES TO BE CONSIDERED DURING CARRIAGE AND TRANSPORTATION

Your doors should be carried from the factory to the assembly stage and assembled by the authorized personnel. Depending on the production method, the frame, the door leaf, the architraves, etc. of our doors are individually packaged and shipped to you. If the doors installed for any purpose need to be moved or disassembled and relocated, our company should be contacted. If another alternative is considered for transportation, the units that can be disassembled should be disassembled, including fasteners, and the parts should be stacked neatly and packaged in a way that will not be damaged. Box trucks should be preferred during transportation.

GENERAL INFORMATION ABOUT USAGE ERRORS

- 1 – Our Indoor Life doors are designed for indoor use. Their lifetime is shorter in other places. It is inconvenient to use our products, which are produced for use in houses and indoors, in areas exposed to direct sunlight, gardens and water-washed areas.
- 2 - During the inspection, the units should not be exposed to radiators in the space or pipes and combs containing hot water or steam. While moving in the rooms or between the rooms, they should be moved without being dragged by touching the ground. Do not use chemicals other than special cleaning sprays for cleaning and maintenance purposes. During cleaning, wipe your door with a slightly damp and soft cloth.
- 3 - Do not open and close your doors hard.
- 4 - Please note that you can damage it with hard objects or heavy impact during use.
- 5 - Prevent children from swinging by hanging on the doors or door handles.
- 6 - If nail polish, acetone, cologne, acidic beverage, tea, coffee, all chemical substances and materials or water are spilled on the door surface, clean them immediately with a dry cloth. In particular, keep in mind that chemicals affect the surfaces very quickly. Remember that it is a combustible material, since completely natural wood material is used. Especially warn children about this.
- 7 - If a cleaning company will do the cleaning of your home, warn the cleaning company to follow the above rules and not to wash the floors with a hose.

WARNINGS ABOUT HAZARDOUS CONDITIONS FOR HUMAN AND ENVIRONMENTAL HEALTH DURING USE

- 1 - The body part of the doors is produced with E1 Duroxill - powder glue that does not harm human health in accordance with world standards. Edging strip is done with Hot-ment adhesive used for edge stripping the door.
- 2 - As our products contain wood and combustible material, especially children should be warned about this.
- 3 - Prevent children from swinging by hanging on the doors or door handles.
- 4 - If you are going to use your doors in open position, make sure to leave the door leaf in an open position with a minimum angle of 90 degrees. When your door is closed, make sure that children are not behind the door.
- 5 - Make sure that your children do not play near the glazed doors of which windows are close to the floor.
- 6 - Do not open and close your doors hard.
- 7 - When leaving the house, make sure that the electrical and water systems in your house are turned off.

MAINTENANCE OF FIRE RESISTANT WOODEN DOOR

The door should be checked mechanically by the technical controller of the place together with its hinge, door handle, door lock, drop-down seal, door closer and similar accessories, and the administrative manager or manager should be informed of the accessories on the door in any defective condition. Especially, accessories such as door seals, drop-down seal of fire and smoke proof doors should be regularly maintained and checked to see if they are working. Care should be taken to clean the doors once a month.

TERMS OF GUARANTEE

- 1 – The guarantee period starts from the delivery of the product and the duration is 2 (two) years.
- 2 – All parts of the product which is our own production is under the guarantee of our company.
- 3 – Repair time for one door is maximum 30 working days. For more than one product, depending on the density in the production line, the repair period is specified. This period starts from the date of delivery of the product to the authorized dealer or manufacturer if there is no delivery station.
- 4 – During the guarantee period, any defects due to material, workmanship or assembly are eliminated with no charge.
- 5 – In case of;
 - a) failure of the product twice within one year or more than four different failures, from the date of delivery of the product, within the guarantee period,
 - b) exceeding the maximum time required to repair the product,
 - c) unavailability of the service station, and, if it is determined that it is not possible to repair the defect on the product with a report prepared by the Authorized Dealer or Manufacturer, the product will be replaced free of charge.
- 6 – Defects and/or malfunctions arising from the use of the product in contradiction with the instructions in the operating manual are not covered by the guarantee.
- 7 – Accessories and devices used on our products and not manufactured by our company are not covered by the guarantee of our company.

LABEL CONTROL

It should be checked whether there is a door label affixed between the upper two hinges of the door leaf so that it can be seen when the door is opened.

The label contains the following information:

- Manufacturer Contact Information
- Fire Resistance Rating
- Certificate Authority
- Certificate Number

Indoor Life®

AB-0556-T
RFTR15078

MANUFACTURER COMPANY: ICM ULUSLAR ARASI INSAAT DANISMANLIK
PAZARLAMA SAN. VE DIS TIC. A.S.
CERTIFICATE NUMBER: 2015-EEA-1007
DATE OF MANUFACTURE: 2017
1/2 HOUR DOOR LIFE F30-SINGLE LEAF TIMBER
DOOR FIRE RATING

Indoor Life®

AB-0556-T
RFTR160038

MANUFACTURER COMPANY: ICM ULUSLAR ARASI INSAAT DANISMANLIK
PAZARLAMA SAN. VE DIS TIC. A.S.
CERTIFICATE NUMBER: 2015-EEA-1007
DATE OF MANUFACTURE: 2017
1/2 HOUR DOOR LIFE F30-SINGLE LEAF TIMBER
DOOR FIRE RATING

Indoor Life®

MANUFACTURER COMPANY: ICM ULUSLAR ARASI INSAAT DANISMANLIK
PAZARLAMA SAN. VE DIS TIC. A.S.
Göztepe Mah. Güzel Sok. Heper Apt. No: 2/5 Kadıköy / İSTANBUL
CERTIFICATE NUMBER: EFR-1801-0070
DATE OF MANUFACTURE:
INDOOR LIFE F60-DOUBLE LEAF TIMBER DOOR
EI60 FIRE RATING

Indoor Life®

MANUFACTURER COMPANY: ICM ULUSLAR ARASI INSAAT DANISMANLIK
PAZARLAMA SAN. VE DIS TIC. A.S.
Göztepe Mah. Güzel Sok. Heper Apt. No: 2/5 Kadıköy / İSTANBUL
CERTIFICATE NUMBER: EFR-1801-0069
DATE OF MANUFACTURE:
INDOOR LIFE F90-SINGLE LEAF TIMBER DOOR
EI90 FIRE RATING

All registered or unregistered intellectual property rights, such as trademarks, patents, logos, designs, information and methods in this catalog, belong to ICM Uluslararası Ins. Dan. Paz. San. ve Dis Tic. A.S. and are protected by national and international law.

The information and methods in this catalog cannot be reproduced, published, copied, presented and/or transferred in any way. The entire catalog or part of the catalog cannot be used without permission on any website. ICM Uluslararası Ins. Dan. Paz. San. ve Dis Tic. A.S. reserves the right to change the features, designs and materials of the products included in the project, provided that it does not change the quality and appearance of the products in the project when it deems necessary.

Persons accept and undertake that they will not reverse engineer or design / produce similar products inspired by the use of projects and products.

TEST PROCEDURE



After 30 minutes, smoke starts to come out of the door.



After 1 hour 16 minutes, the door starts to burn.



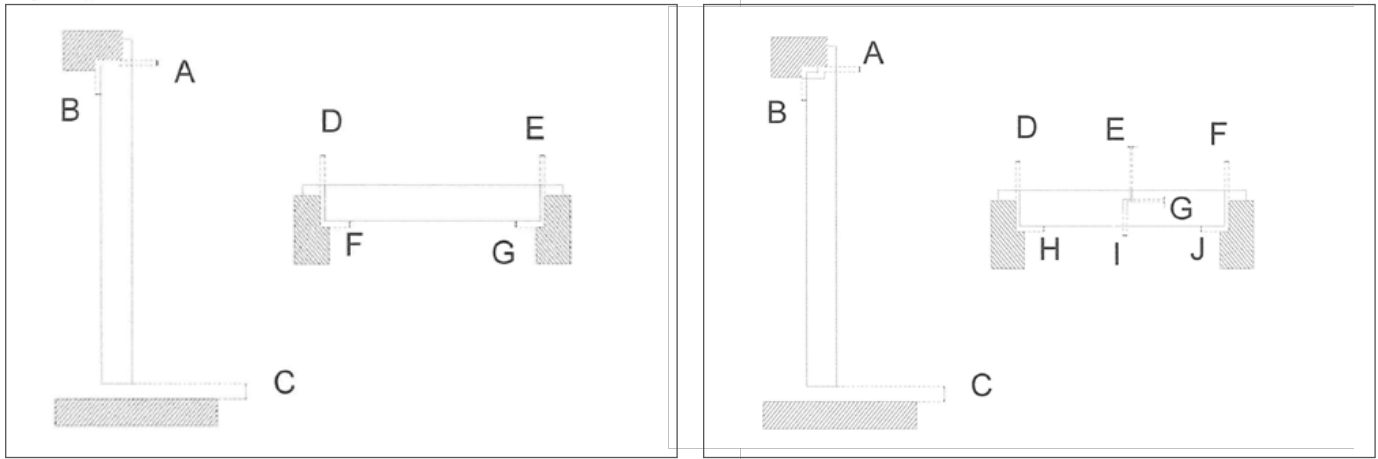
After 1 hour 50 minutes, the door starts to burn.

The fire resistance of a door is determined by the fire resistance test to be performed and the evaluation of this test. A fire resistance test is a direct combustion process, which can be explained simply by testing a door sample by mounting it in a suitable supporting structure.

Time, temperature and pressure regime should be within the standards in order to revive the conditions that occur after the environment is fully ignited. The point of ignition is the point where all objects in the fire compartment catch fire.

In a real fire, the time to complete ignition can be extremely long or too short. This is controlled in aspects such as fire load, size and shape of the room and qualities of the ventilation used. Considering that the point of ignition is completely uncertain, a simulation of fire starting from the point of ignition completely and neglecting the growth period of the fire is quite reasonable. The test can be done up to the desired time, up to 30, 60, 90, 120 minutes.

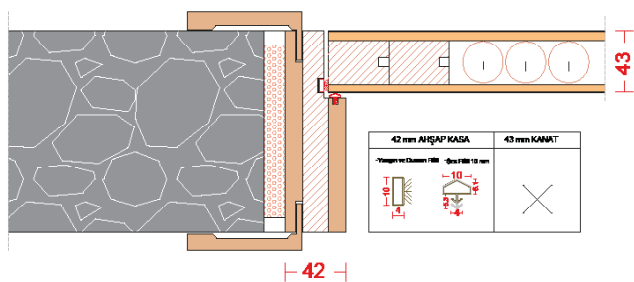
CONSTRUCTION OPENING DIMENSIONS PERMITTED FOR FIRE DOORS



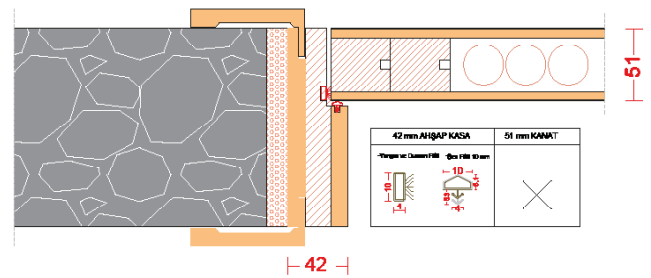
	A	B	C	D	E	F	G	H	I	J
INDOORLIFE EI30	5,0	7,0	16,0	7,3	3,7	8,0	8,3	-	-	-
INDOORLIFE EI30G	7,0	7,8	15,0	3,8	5,6	8,8	7,0	-	-	-
INDOORLIFE EI60	4,0	5,8	15,7	3,8	5,8	3,8	4,8	6,8	5,5	6,3
INDOORLIFE EI90	7,0	7,8	15,0	3,8	5,6	8,8	7,0	-	-	-

FIRE DOOR FRAME & LEAF SEAL DIMENSIONS

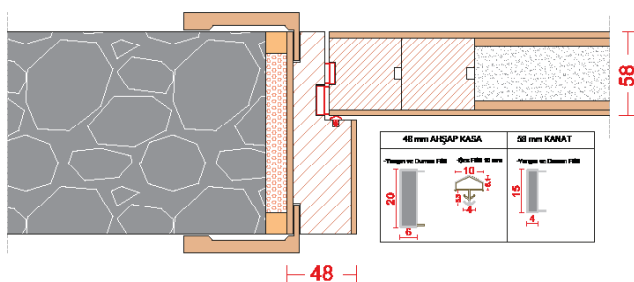
Indoor Life  **30 min**
Indoor Life F30 EI1 30 / EI2 30



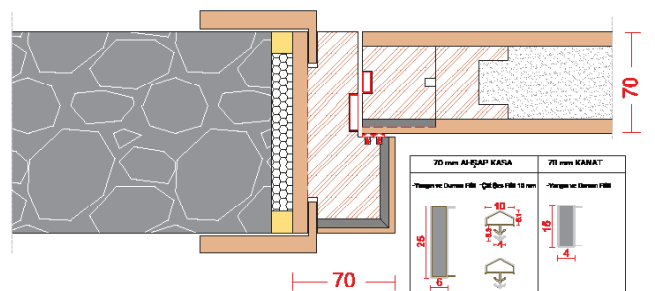
Indoor Life  **30 min**
Indoor Life F30G EI1 30 / EI2 30



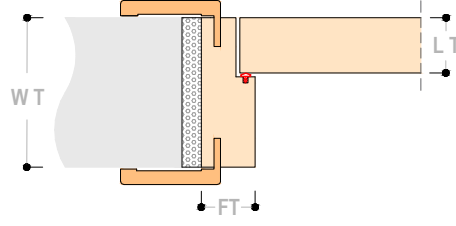
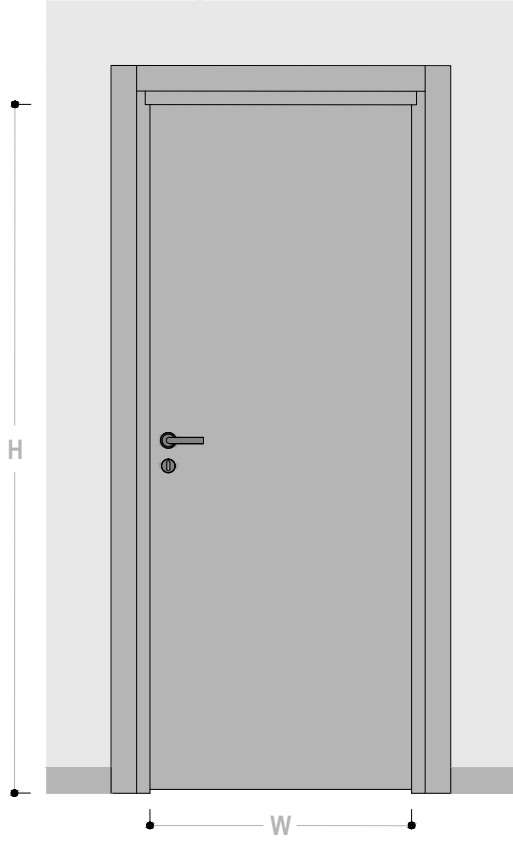
Indoor Life  **60 min**
Indoor Life F60 EI1 60 / EI2 60



Indoor Life  **90 min**
Indoor Life F90 EI1 90 / EI2 90



DOOR PRODUCTION DIMENSIONS PERMITTED FOR FIRE DOORS



W : En
Width

H : Boy
Height

WT : Duvar Kalınlığı
Wall Thickness

FT : Kasa Kalınlığı
Frame Thickness

LT : Kanat Kalınlığı
Leaf Thickness

	INDOORLIFE EI30	INDOORLIFE EI30G	INDOORLIFE EI60		INDOORLIFE EI90
Leaf Options	Single Leaf	Single Leaf	Active Leaf	Passive Leaf	Single Leaf
Width (mm)	537,50 - 1236,25	537,50 - 1236,25	400 - 920	200 - 460	527,50 - 1213,25
Height (mm)	541,25 - 2489,75	541,25 - 2489,75	1620 - 2484		543,75 - 2501,25
Wall Thickness (mm)	120 - 140	120 - 140	120 - 140		120 - 140
Frame Thickness (mm)	42	42	48		70
Leaf Thickness (mm)	43	51	58		70

Proximity to the Surface: Door bottom gap shall be 10mm at minimum.

FIRE RESISTANT WOODEN DOOR TERMINOLOGY

Fire Door: It is a building element that is used in order to prevent / delay the spread of the fire that emerges in a certain part of the building while it is in the closed position, and it is used as an escape route when opened, providing integrity and insulation for a certain period during the fire.

Door Frame: It is the supporting frame that provides support for a door, surrounds the top and sides of the door, on which the door leaf is hung with hinges.

Door Architrave: It is a building element that gives a smooth view to the door by surrounding the outside of the door in both directions to ensure that the gaps between the door frame and the wall are closed.

Door Leaf: It is the movable panel that fills the space in the middle of the door frame and connects to the door frame with a hinge.

Intumescent Seal: It is a firestop material that expands and closes the gaps between the leaf and the frame, preventing the passage of flame and smoke for a certain period of time due to the increase in temperature exposed during the fire. It is usually used between frame and leaf.

Door Lock: It is a security mechanism that allows the door to remain in a closed position and to be locked for security purposes when necessary, works with the help of a key and door handle.

Door Handle: It is a handle made of metal that provides the movement of the door during the closing and opening of the door.

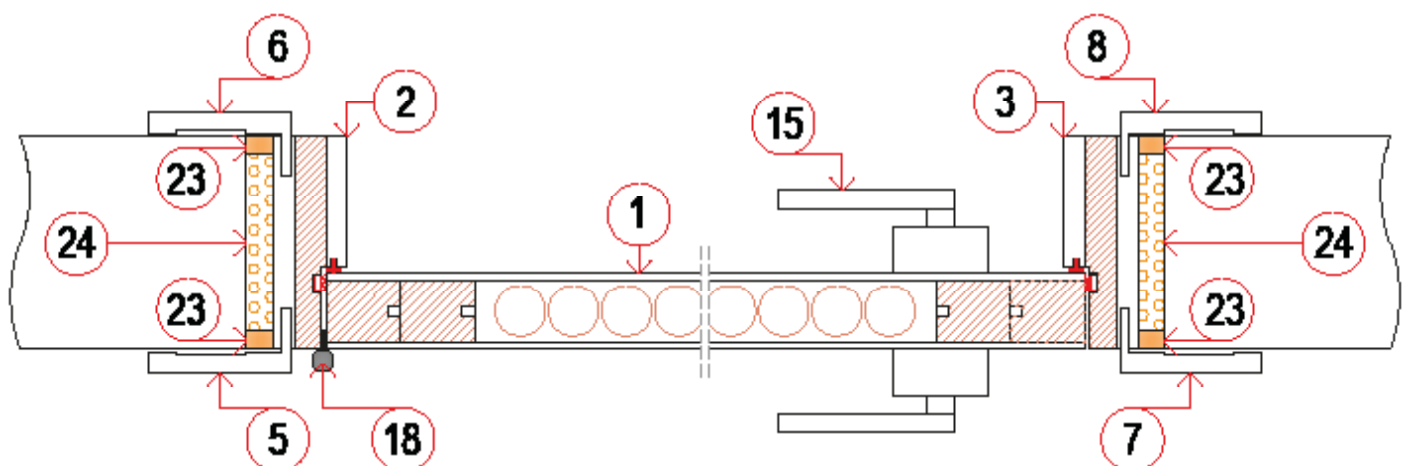
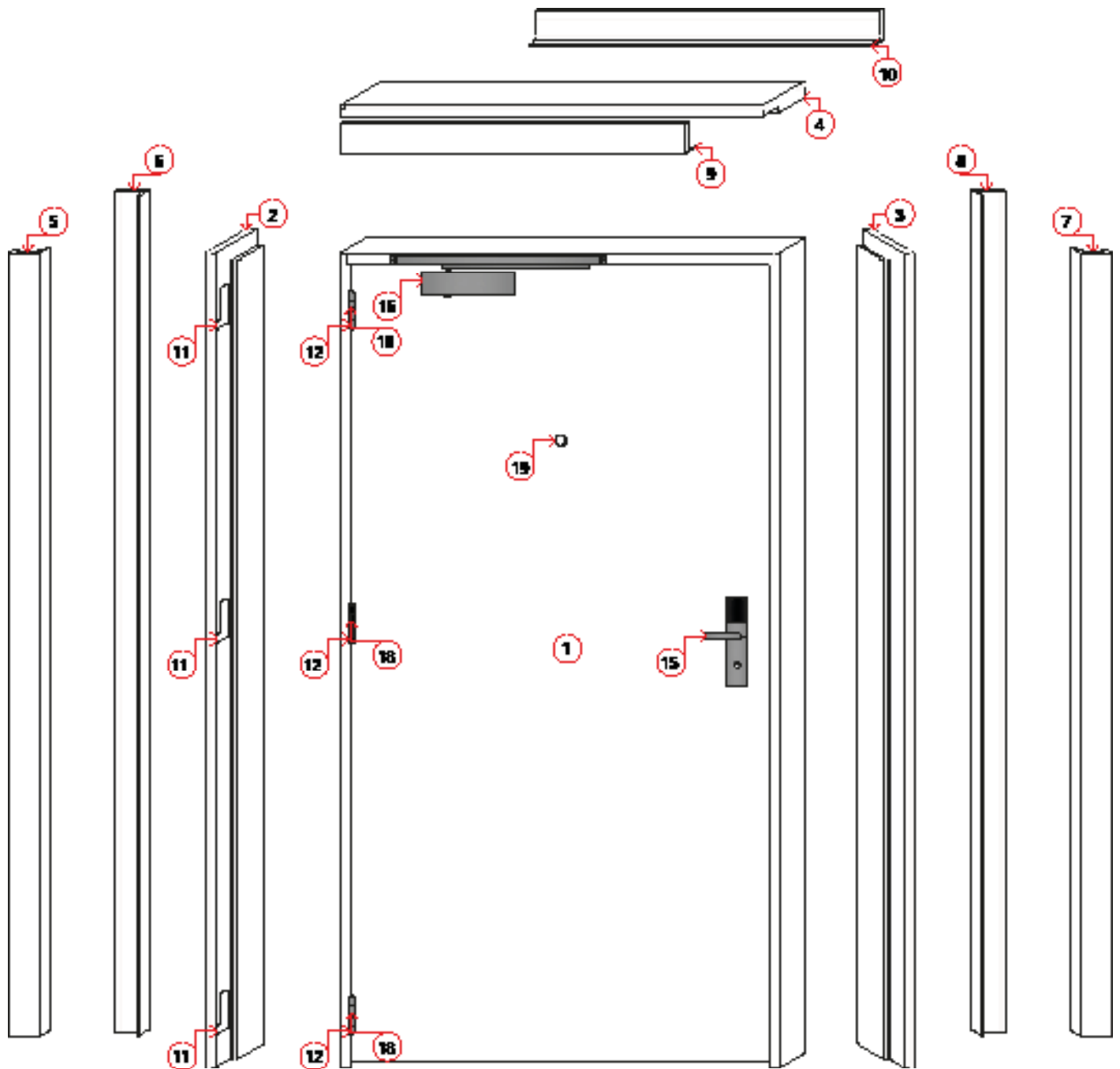
Drop-down Seal: It is an aluminum profile inflated wick that closes the space under the door and prevents the passage of smoke, fire and sound when the door is in closed position,

Sub-Hardware Seal: It is the intumescent seal used under metal hardware to prevent heat transfer between different building materials.

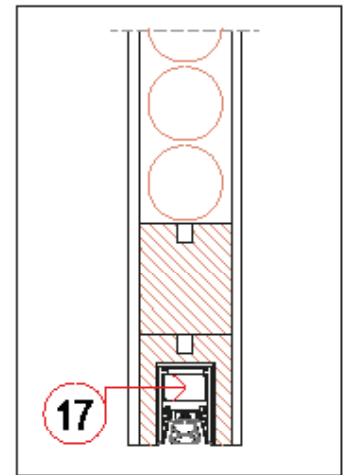
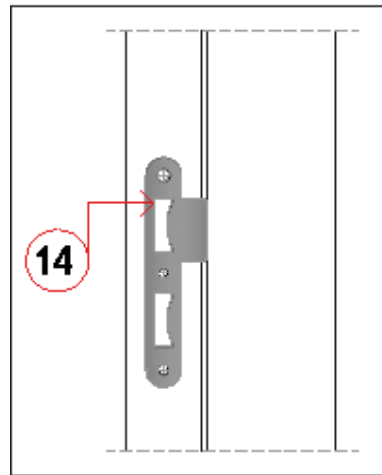
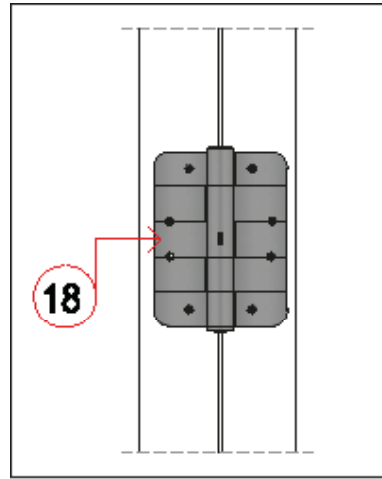
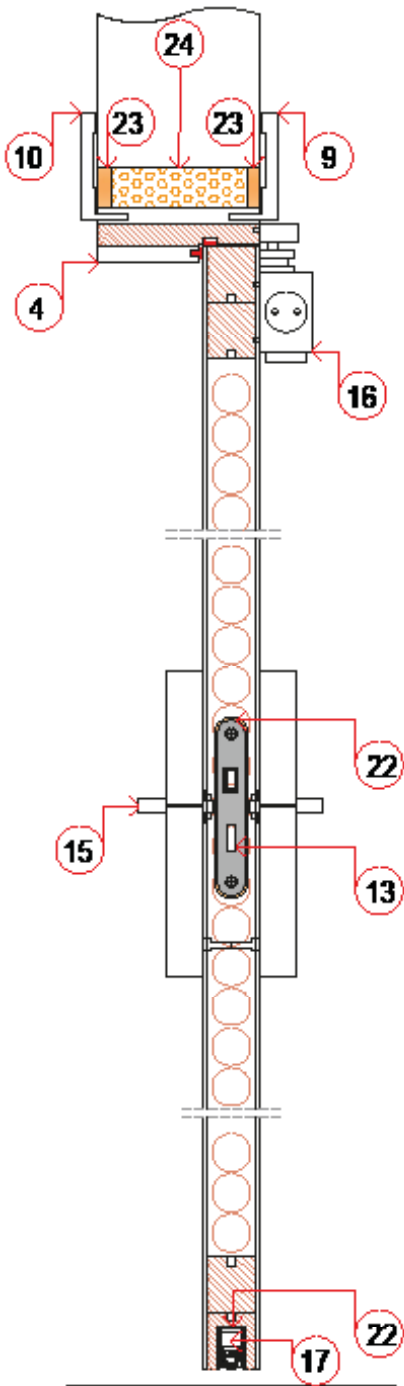
Fire & Smoke Seal: It is a firestop material that swells by exposure to heat or smoke during the fire and closes the door gaps, thus helping the door to provide thermal insulation and integrity.

Fire Sealant: It is a chemical sealant that is resistant to fire for a certain period of time and is used for filling the outer-facing gaps in the conjunction of the door frame and the wall during the installation of the fire door, and serves to serve as a fire zone of the wall and the fire door.

Installation Foam Gap: It is the space left between the frame and the wall during the installation of the fire door.



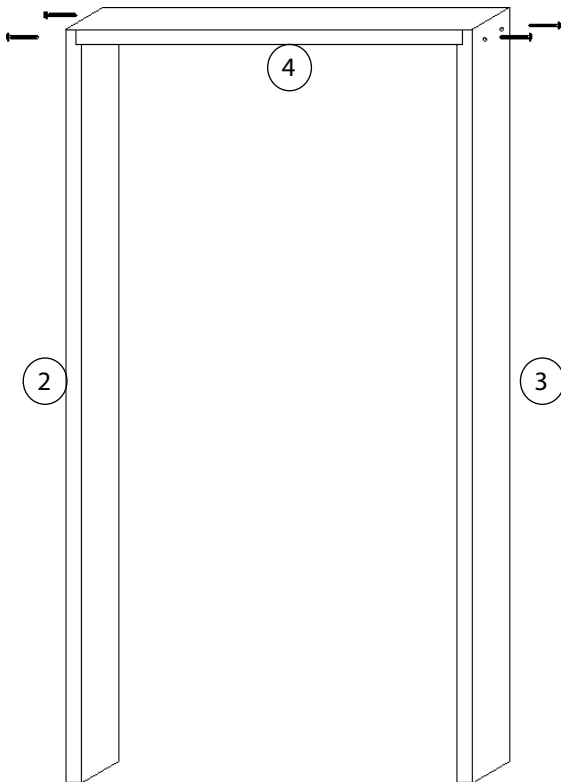
30 minutes
Fire & Smoke
Sealing



42mm WOODEN FRAME		43mm LEAF

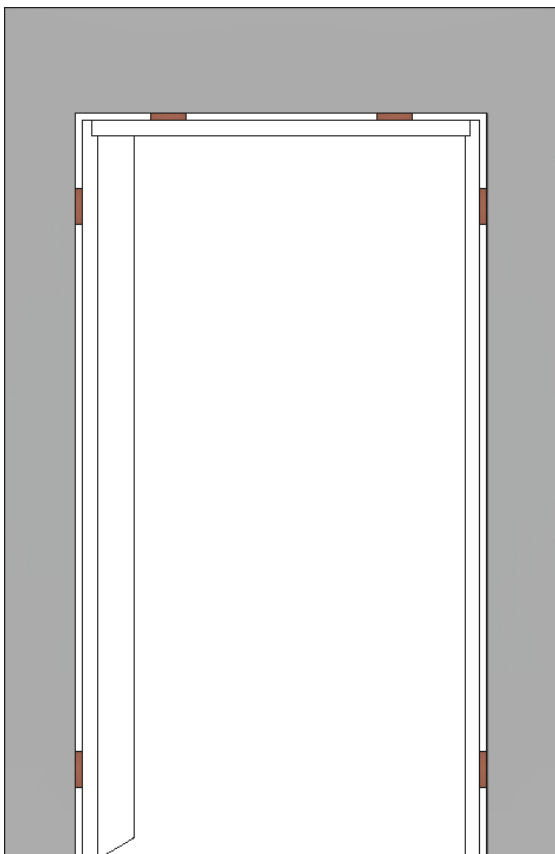
- 1 – Door Leaf
- 2 – Right Side Frame
- 3 – Left Side Frame
- 4 – Head Frame
- 5/7/9 – Inner Architraves
- 6/8/10 – Outer Architraves
- 11 – Place for Hinges (x3) on the frame
- 12 – Place for Hinges (x3) on the door leaf
- 13 – Door Lock
- 14 – Door Lock Strike Plate
- 15 – Door Handle / Electronic Door Handle
- 16 – On-Surface Door Closer
- 17 – Fire Resistant Drop-down Seal
- 18 – Butt Hinge 3 pcs
- 19 – Eye Viewer
- 20 – Fire & Smoke Seal 10*4mm on the frame
- 21 – Acoustic Seal on the frame
- 22 – Sub-Hardware Seal
- 23 – Fire Sealant
- 24 – Fire Resistant Foam

a) Assembling Frame



- Head frame and side frames are screwed together with 5x70 chipboard screws.
- Side frames are joined to the head frame by two screws on each side.

b) Applying Gap for Foam



- After the head frame and side frames are assembled in U form, the frame is placed in the wall opening.
- 6 wedges are clamped on the upper side of the head frame (between the wall and the case).
- Frame alignment is done. It is controlled with a water gauge.

c) Hinge Installation Stages

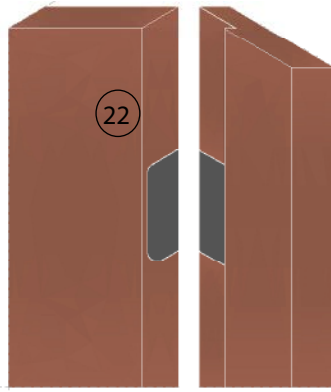


Figure – 1

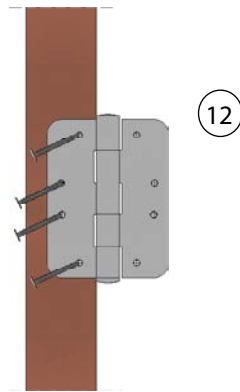


Figure – 2

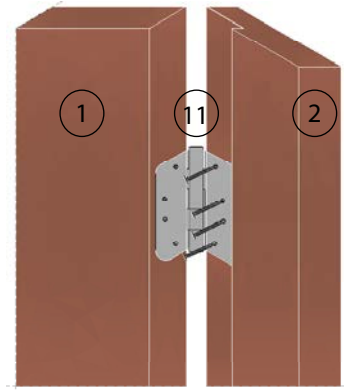


Figure – 3

Figure 1 : Sub-hardware seal is placed on the hinge places on the frame and leaf.

Figure 2 : 3 hinges are screwed to the door leaf first.

Figure 3 : With the help of two people, the door leaf to which the hinge is screwed is brought closer to the hinge places on the framed and screwed, and so the leaf is mounted on the frame.

d) Fitting the Leaf and Tension Rod

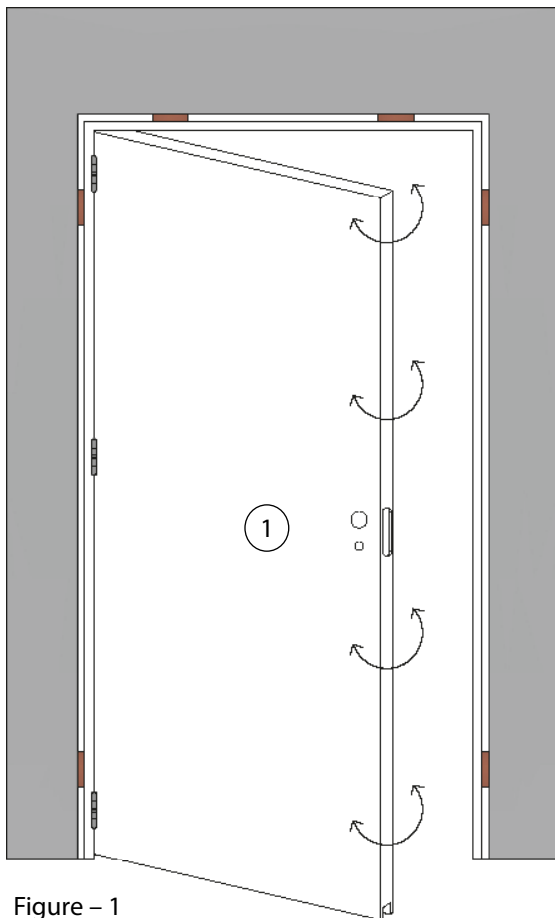


Figure – 1

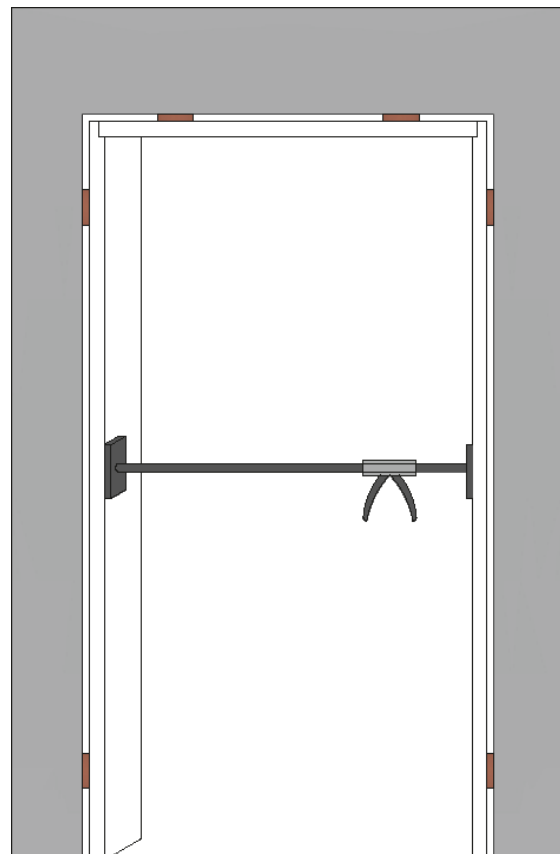
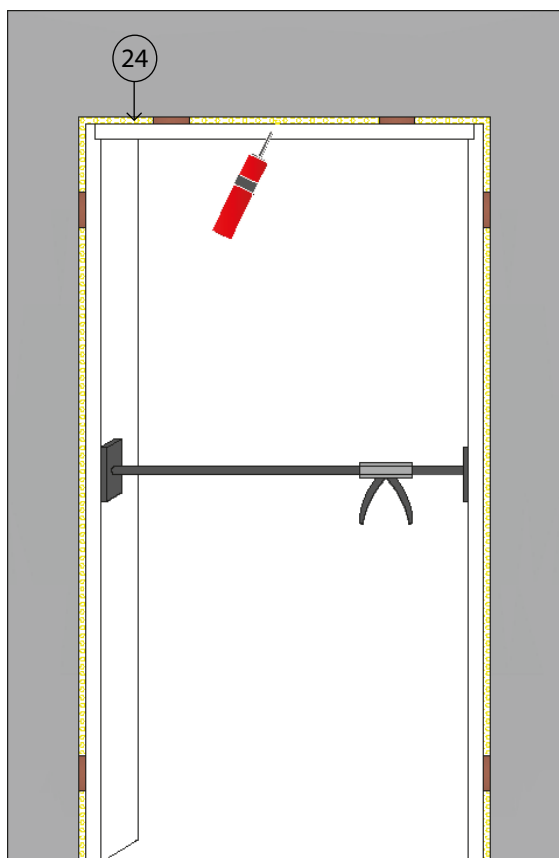


Figure – 2

Figure – 1 : Door fitting is done by performing the opening-closing movement.

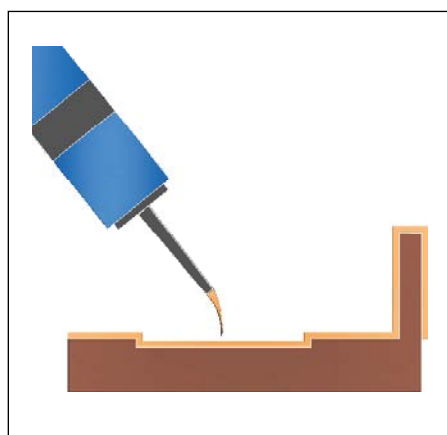
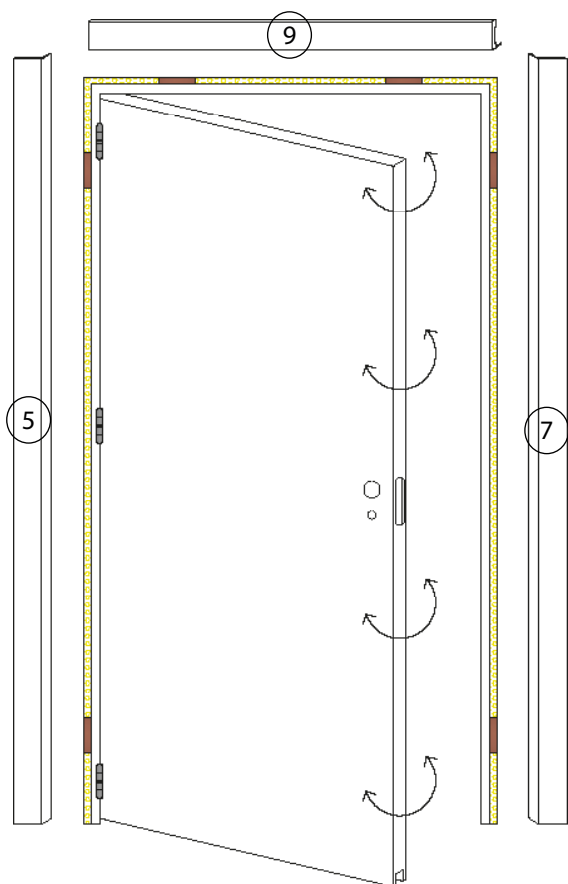
Figure – 2 : A tension rod is placed between the side frames.

e) Applying Fire Resistant Foam



- Assembly foam is applied to the gap between the case and the wall, with no gap left, and it is left to dry.
- Drying time is 2 hours in summer and 3 hours in winter depending on weather conditions.
- After the foam has dried, the overflowing parts are trimmed with a utility knife.

f) Applying Fire Sealant and Installing Architrave



- After the architraves are cut according to the frame size, silicone is applied to the back of the architrave.
- The architraves are attached to the frame so that the nose of the architraves enters into the groove.
- Outer architraves (6/8/10) are also installed with the same method.

g) Installing Fire Door Hardware

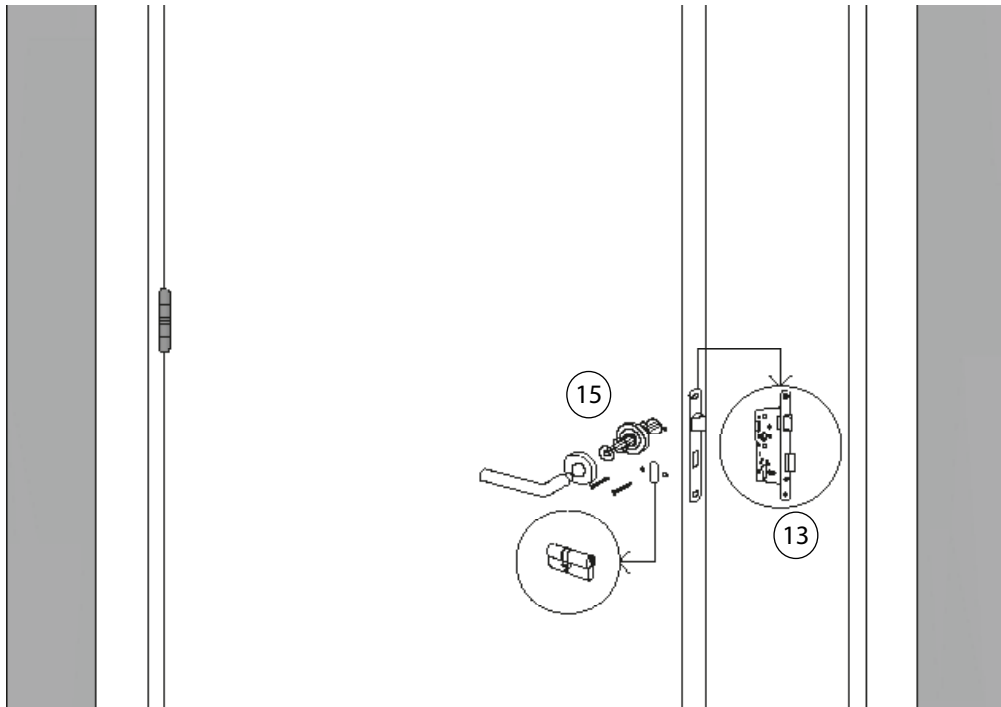


Figure - 1

- **Handle & Lock Installation:** If the lock is a manual lock, the location of the lock is ready on the leaf. Its direction (right / left) is determined and mounted. The handle is screwed into place.
- It is checked whether the lock is working correctly on the frame and the leaf. Adjustments are made.

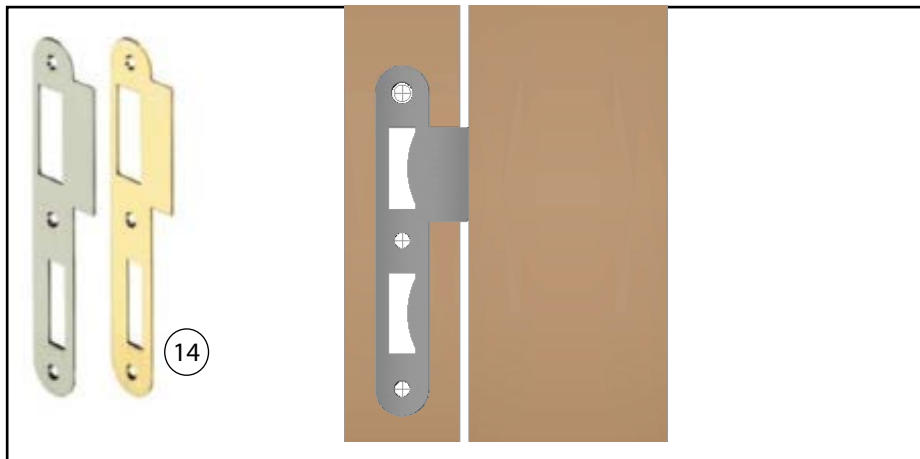
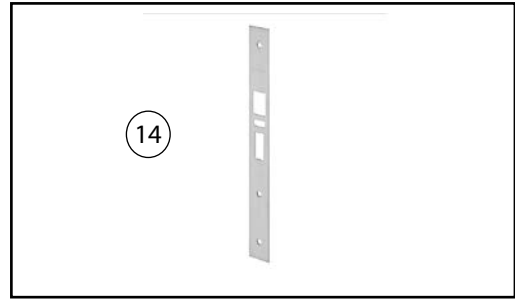


Figure - 2

- **Lock Strike Plate Installation:** The location of the lock strike plate is ready on the leaf. It is mounted with a screw suitable for assembly.

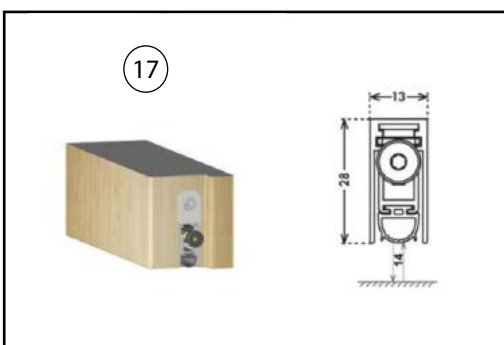
g) Installing Fire Door Hardware



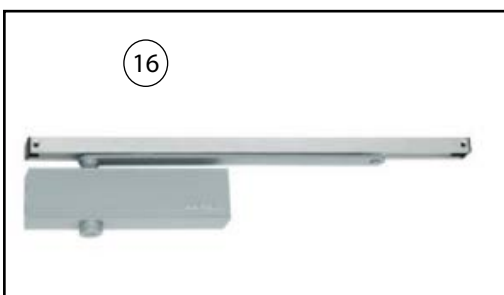
- Electronic Card Lock Installation: The location of the electronic card lock is ready on the leaf. The lock is installed in accordance with the user manual that comes in the box.
- It is checked whether the lock is working correctly on the frame and the leaf. Adjustments are made.



- Eye Viewer: The location of the eye viewer is ready on the leaf. The eye viewer is installed in accordance with the user manual that comes in the box.
- It is checked whether the eye viewer is working correctly on the frame and the leaf. Adjustments are made.



- Drop-down Seal: It is installed on the door leaf during the production stage. Door-drop-down seal adjustment is made during the installation stage.
- When the door is in closed position, it should be positioned to cover the bottom gap.



- On-Surface Door Closer: The On-Surface Door Closer is installed in accordance with the user manual that comes in the box.

COMPLETING THE INSTALLATION

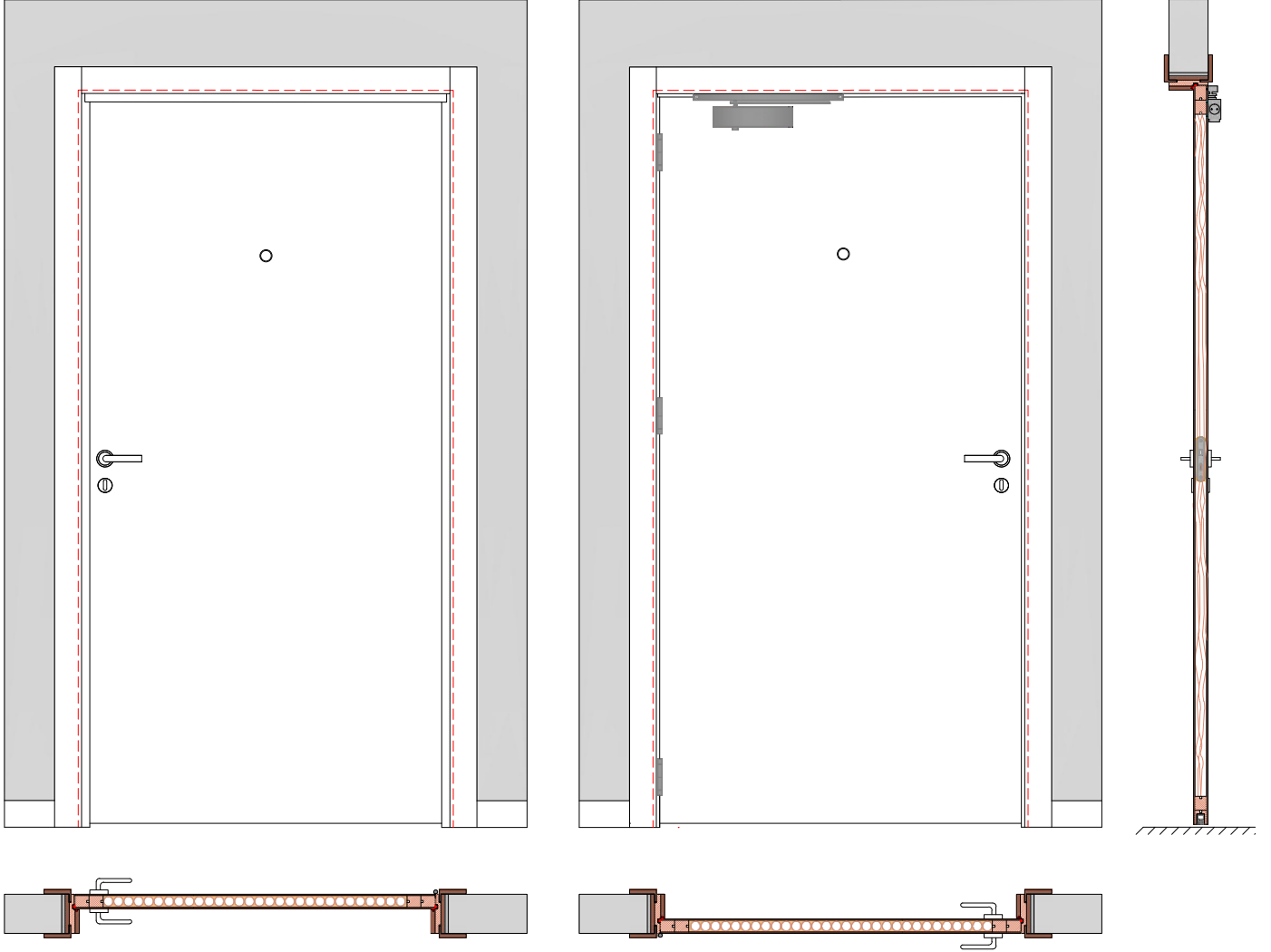
Indoor Life

 30 min

Indoor Life F30 EI130 / EI230

Yüzeysel Kapı Kapatıcılı / Surface Door Closer

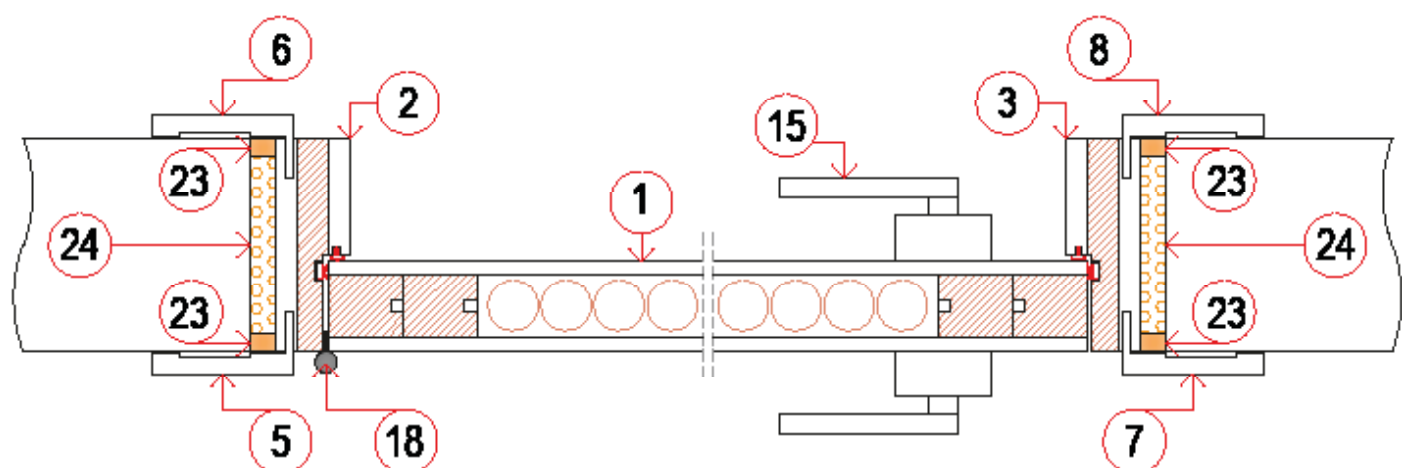
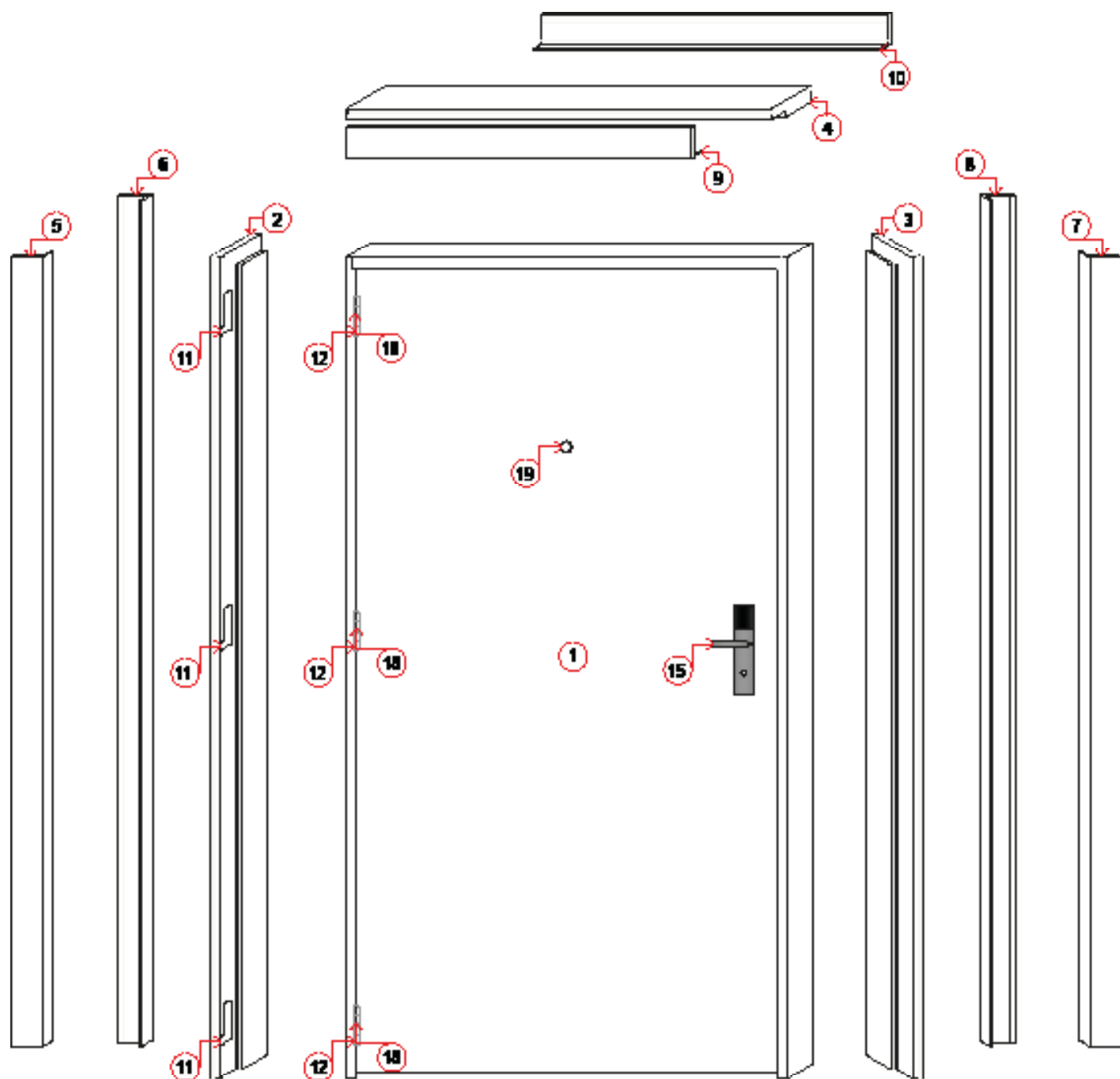
Genişlik Width	Yükseklik Height	Duvar Kalınlığı Wall Thickness
1100 mm	2200 mm	120-140 mm



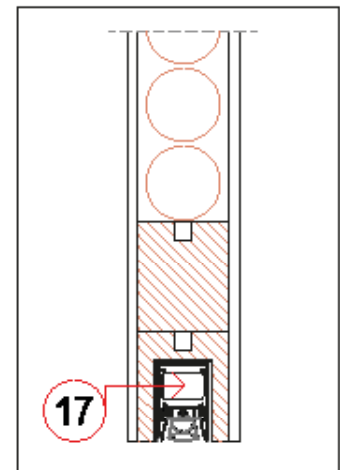
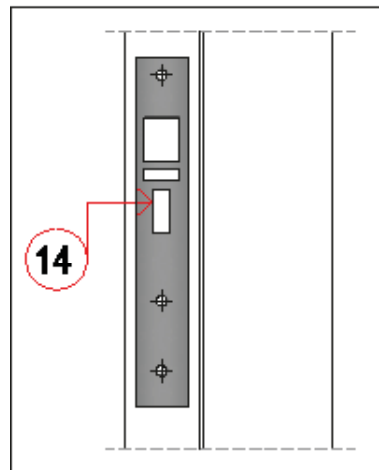
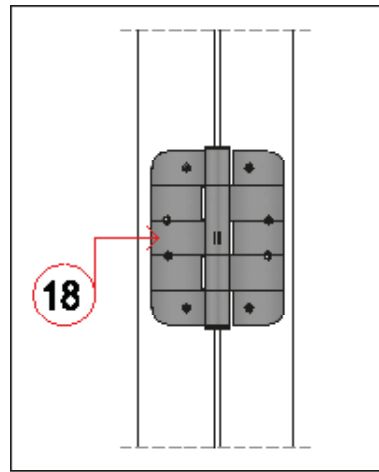
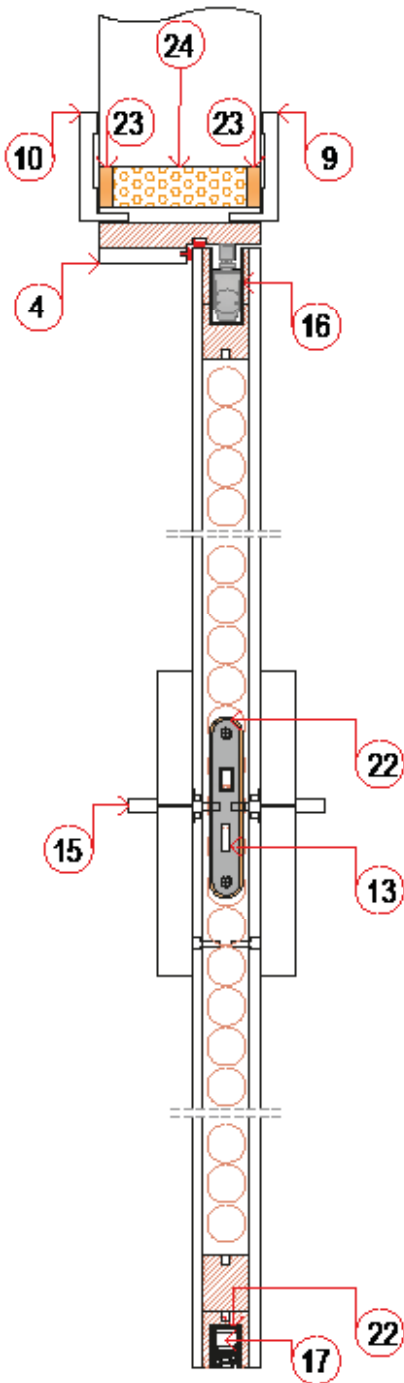
INDOOR LIFE F30 EI1 30 / EI2 30

 30 min

- Door leaf can be opened in both directions.
- 43mm leaf thickness
- 42mm frame
- 31 dB acoustic insulation
- On-surface door closer
- Elektronik door handle & normal door handle
- Fire resistant drop-down seal
- It can be applied up to 2.80 square meter.
- Fire & smoke seal



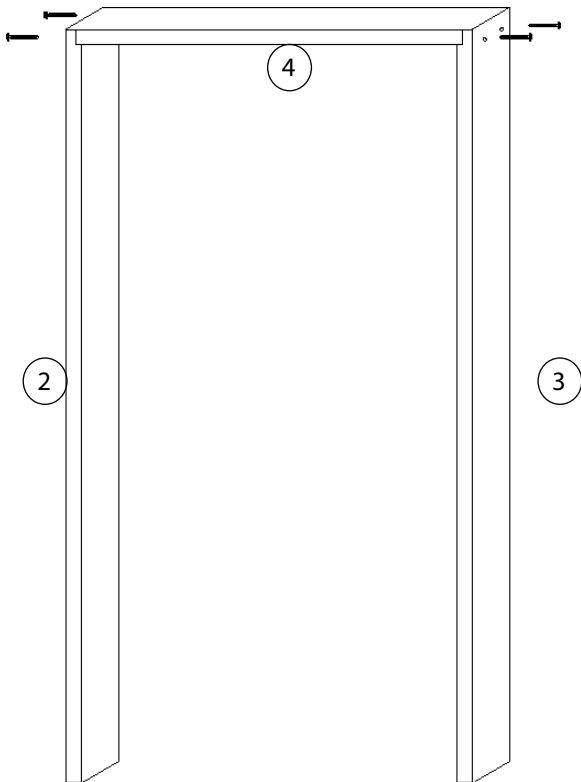
30 minutes
Fire & Smoke
Sealing



42mm WOODEN FRAME		51mm LEAF

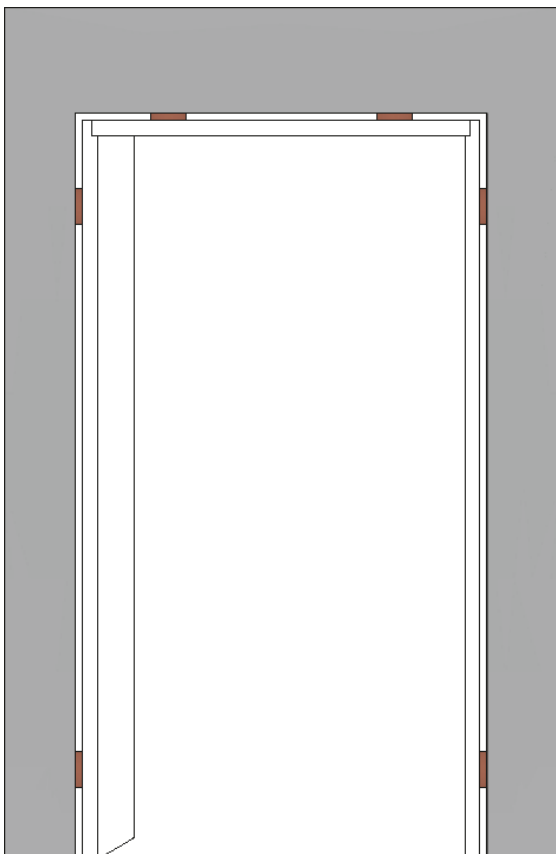
- 1 – Door Leaf
- 2 – Right Side Frame
- 3 – Left Side Frame
- 4 – Head Frame
- 5/7/9 – Inner Architraves
- 6/8/10 – Outer Architraves
- 11 – Place for Hinges (x3) on the frame
- 12 – Place for Hinges (x3) on the door leaf
- 13 – Door Lock
- 14 – Door Lock Strike Plate
- 15 – Door Handle / Electronic Door Handle
- 16 – Concealed Door Closer
- 17 – Fire Resistant Drop-down Seal
- 18 – Butt Hinge 3 pcs
- 19 – Eye Viewer
- 20 – Fire & Smoke Seal 10*4mm on the frame
- 21 – Acoustic Seal on the frame
- 22 – Sub-Hardware Seal
- 23 – Fire Sealant
- 24 – Fire Resistant Foam

a) Assembling Frame



- Head frame and side frames are screwed together with 5x70 chipboard screws.
- Side frames are joined to the head frame by two screws on each side.

b) Applying Gap for Foam



- After the head frame and side frames are assembled in U form, the frame is placed in the wall opening.
- 6 wedges are clamped on the upper side of the head frame (between the wall and the case).
- Frame alignment is done. It is controlled with a water gauge.

c) Hinge Installation Stages

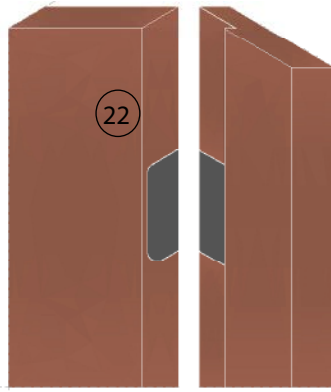


Figure – 1

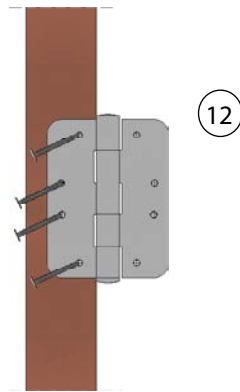


Figure – 2

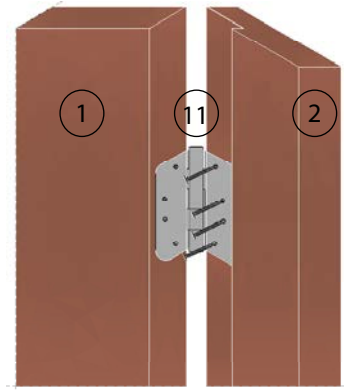


Figure – 3

Figure 1 : Sub-hardware seal is placed on the hinge places on the frame and leaf.

Figure 2 : 3 hinges are screwed to the door leaf first.

Figure 3 : With the help of two people, the door leaf to which the hinge is screwed is brought closer to the hinge places on the framed and screwed, and so the leaf is mounted on the frame.

d) Fitting the Leaf and Tension Rod

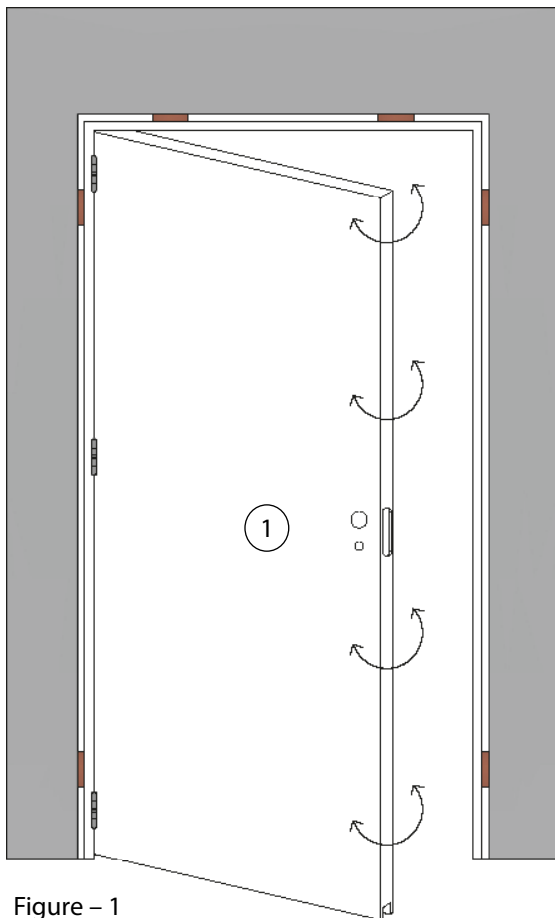


Figure – 1

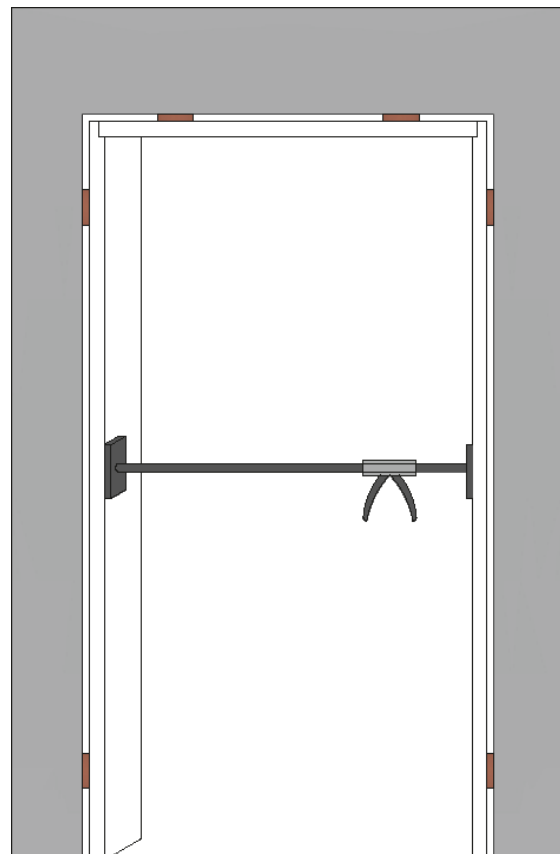
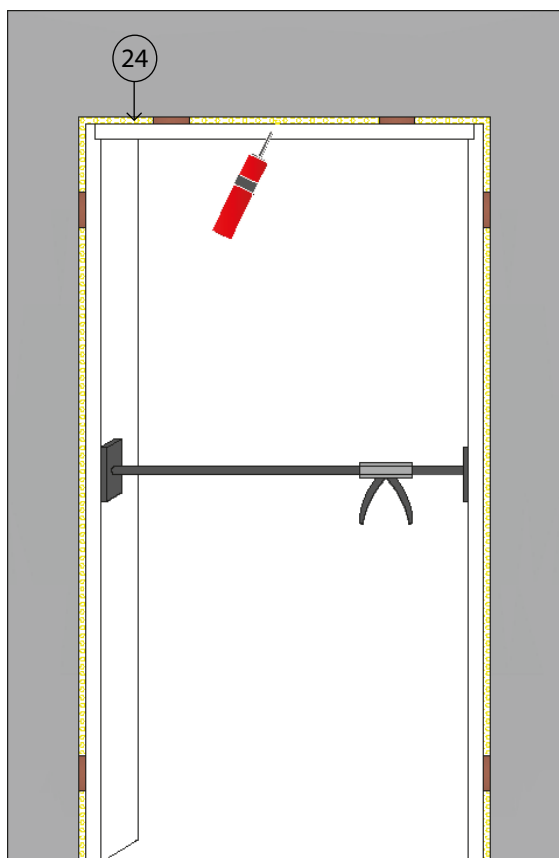


Figure – 2

Figure – 1 : Door fitting is done by performing the opening-closing movement.

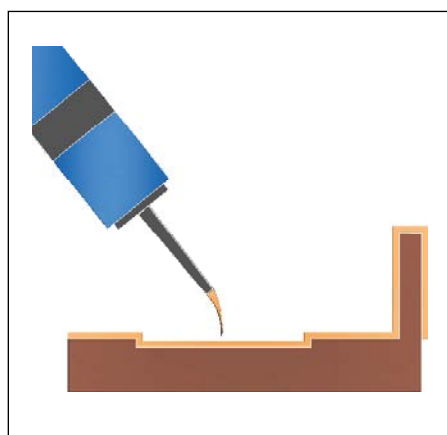
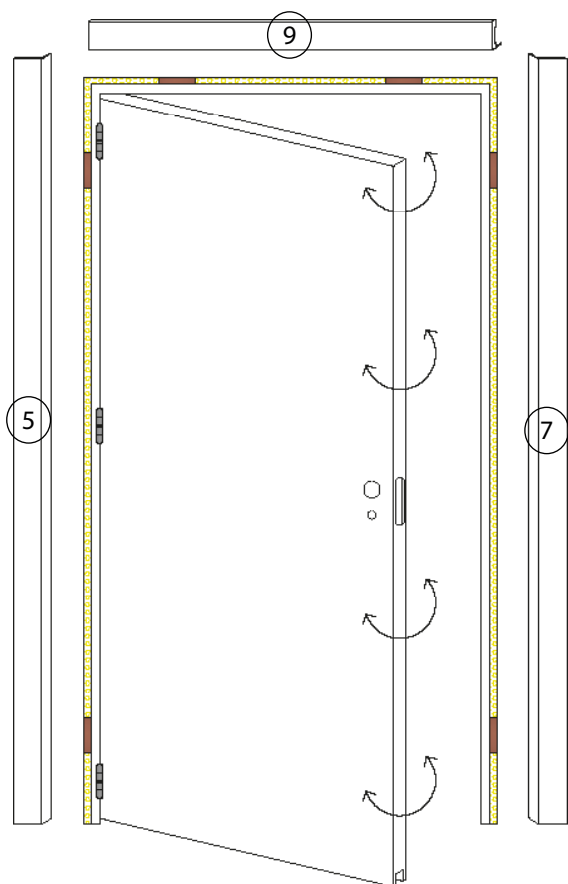
Figure – 2 : A tension rod is placed between the side frames.

e) Applying Fire Resistant Foam



- Assembly foam is applied to the gap between the case and the wall, with no gap left, and it is left to dry.
- Drying time is 2 hours in summer and 3 hours in winter depending on weather conditions.
- After the foam has dried, the overflowing parts are trimmed with a utility knife.

f) Applying Fire Sealant and Installing Architrave



- After the architraves are cut according to the frame size, silicone is applied to the back of the architrave.
- The architraves are attached to the frame so that the nose of the architraves enters into the groove.
- Outer architraves (6/8/10) are also installed with the same method.

g) Installing Fire Door Hardware

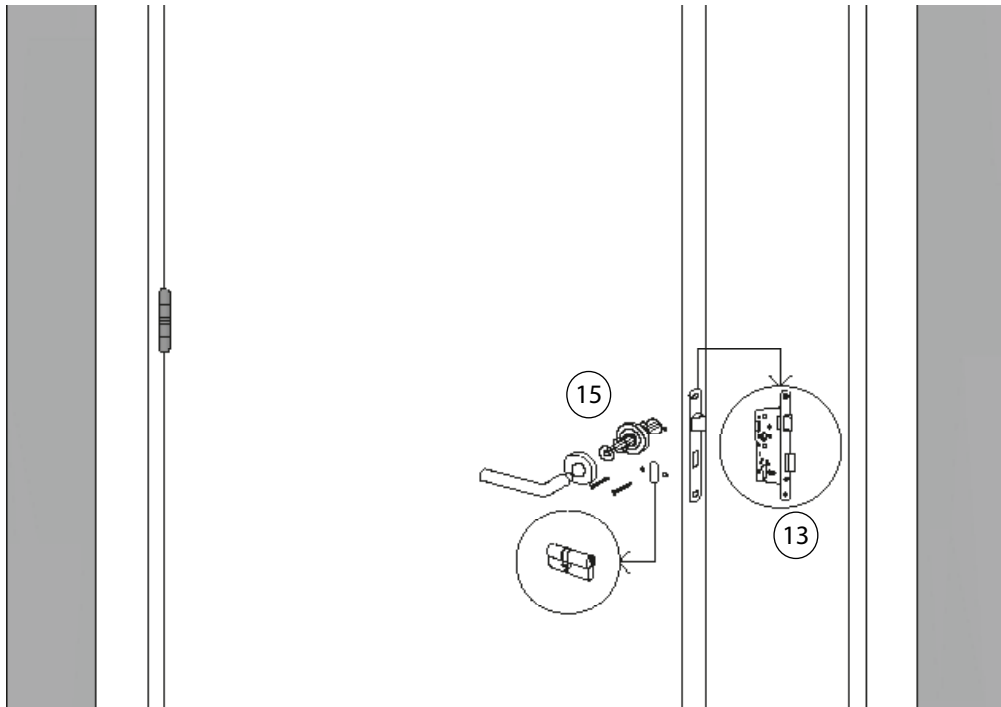


Figure - 1

- **Handle & Lock Installation:** If the lock is a manual lock, the location of the lock is ready on the leaf. Its direction (right / left) is determined and mounted. The handle is screwed into place.
- It is checked whether the lock is working correctly on the frame and the leaf. Adjustments are made.

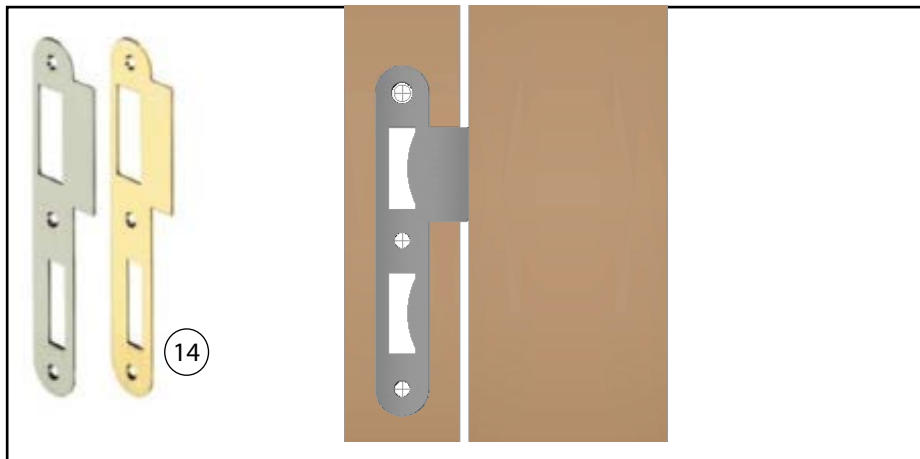
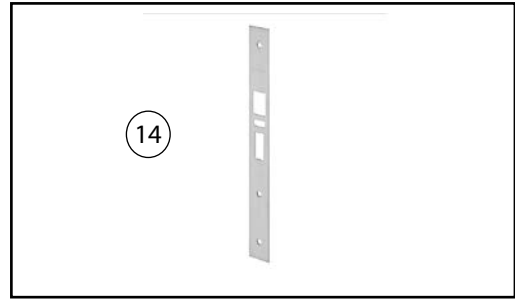


Figure - 2

- **Lock Strike Plate Installation:** The location of the lock strike plate is ready on the leaf. It is mounted with a screw suitable for assembly.

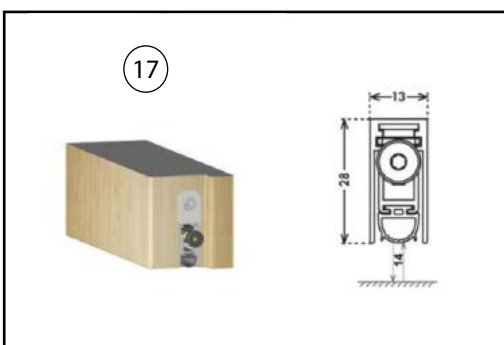
g) Installing Fire Door Hardware



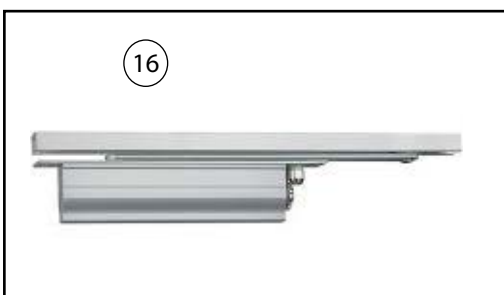
- Electronic Card Lock Installation: The location of the electronic card lock is ready on the leaf. The lock is installed in accordance with the user manual that comes in the box.
- It is checked whether the lock is working correctly on the frame and the leaf. Adjustments are made.



- Eye Viewer: The location of the eye viewer is ready on the leaf. The eye viewer is installed in accordance with the user manual that comes in the box.
- It is checked whether the eye viewer is working correctly on the frame and the leaf. Adjustments are made.



- Drop-down Seal: It is installed on the door leaf during the production stage. Door-drop-down seal adjustment is made during the installation stage.
- When the door is in closed position, it should be positioned to cover the bottom gap.



- On-Surface Door Closer: The On-Surface Door Closer is installed in accordance with the user manual that comes in the box.

COMPLETING THE INSTALLATION

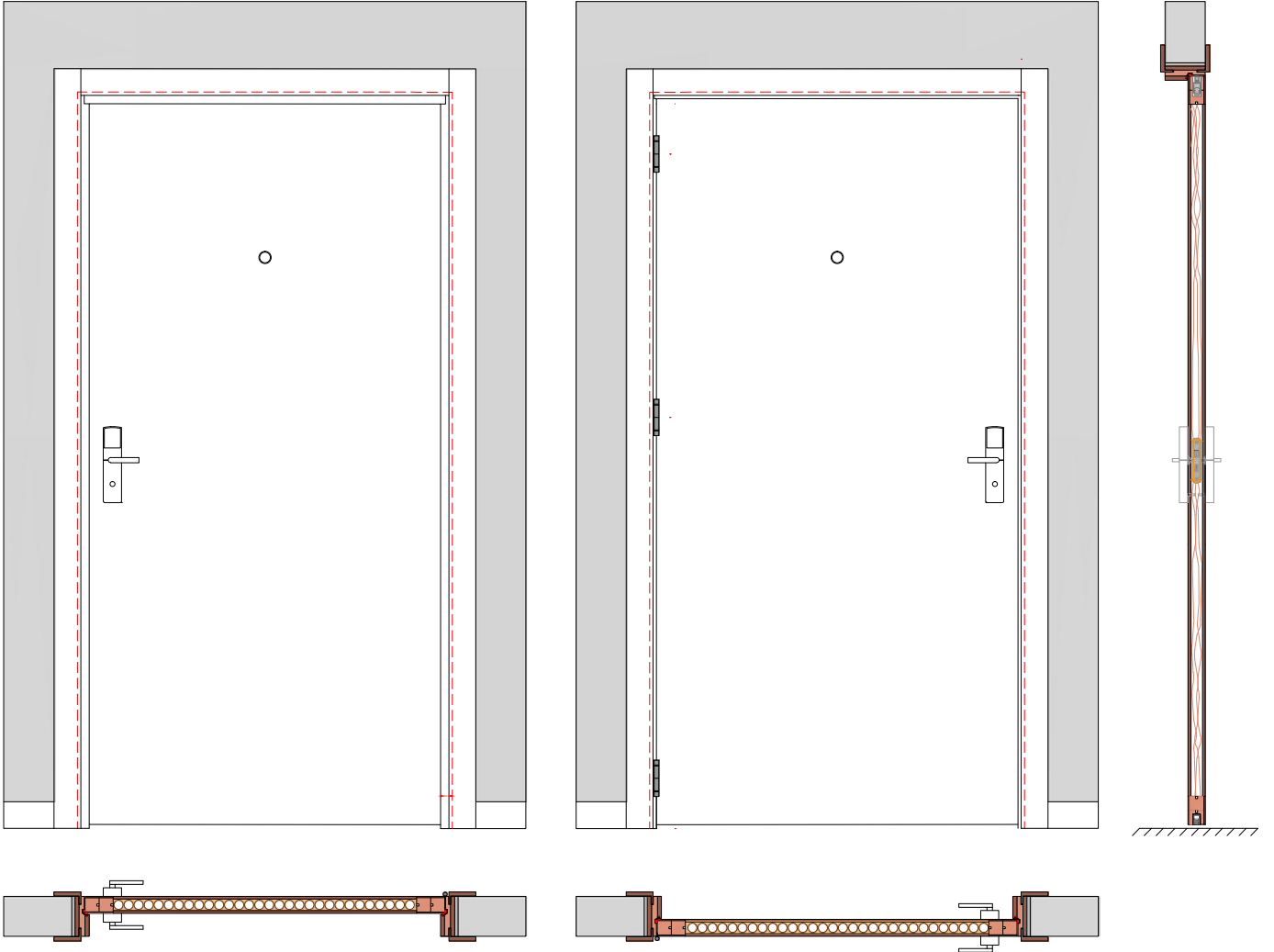
Indoor Life

 **30 min**  **31 dB**


Indoor Life F30G EI30 / EI230 / 31dB

With Concealed Door Closer

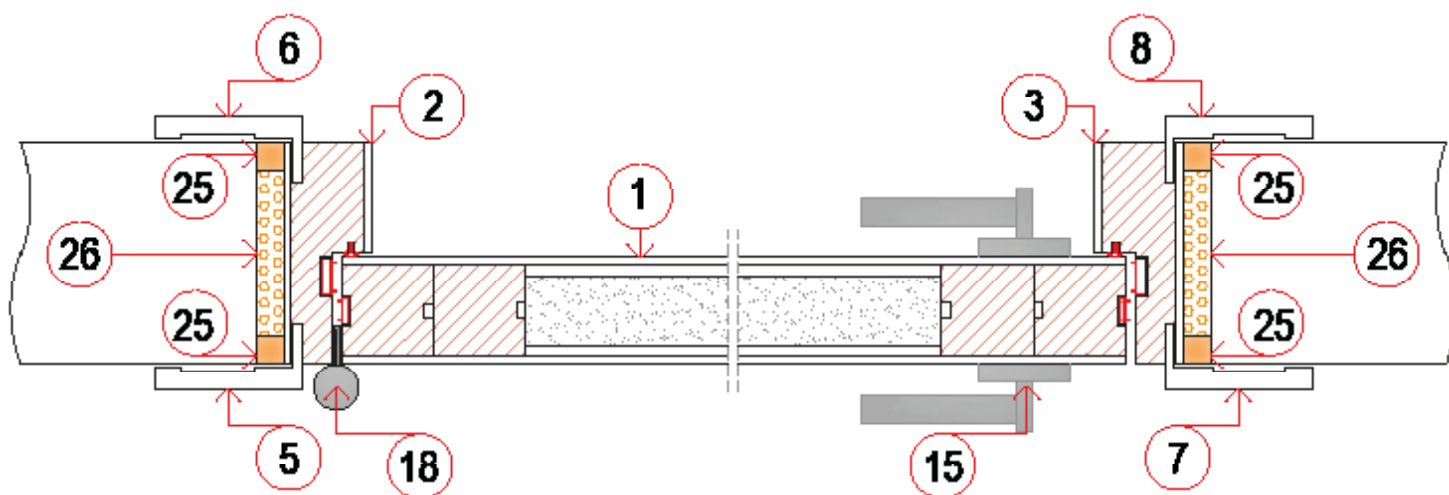
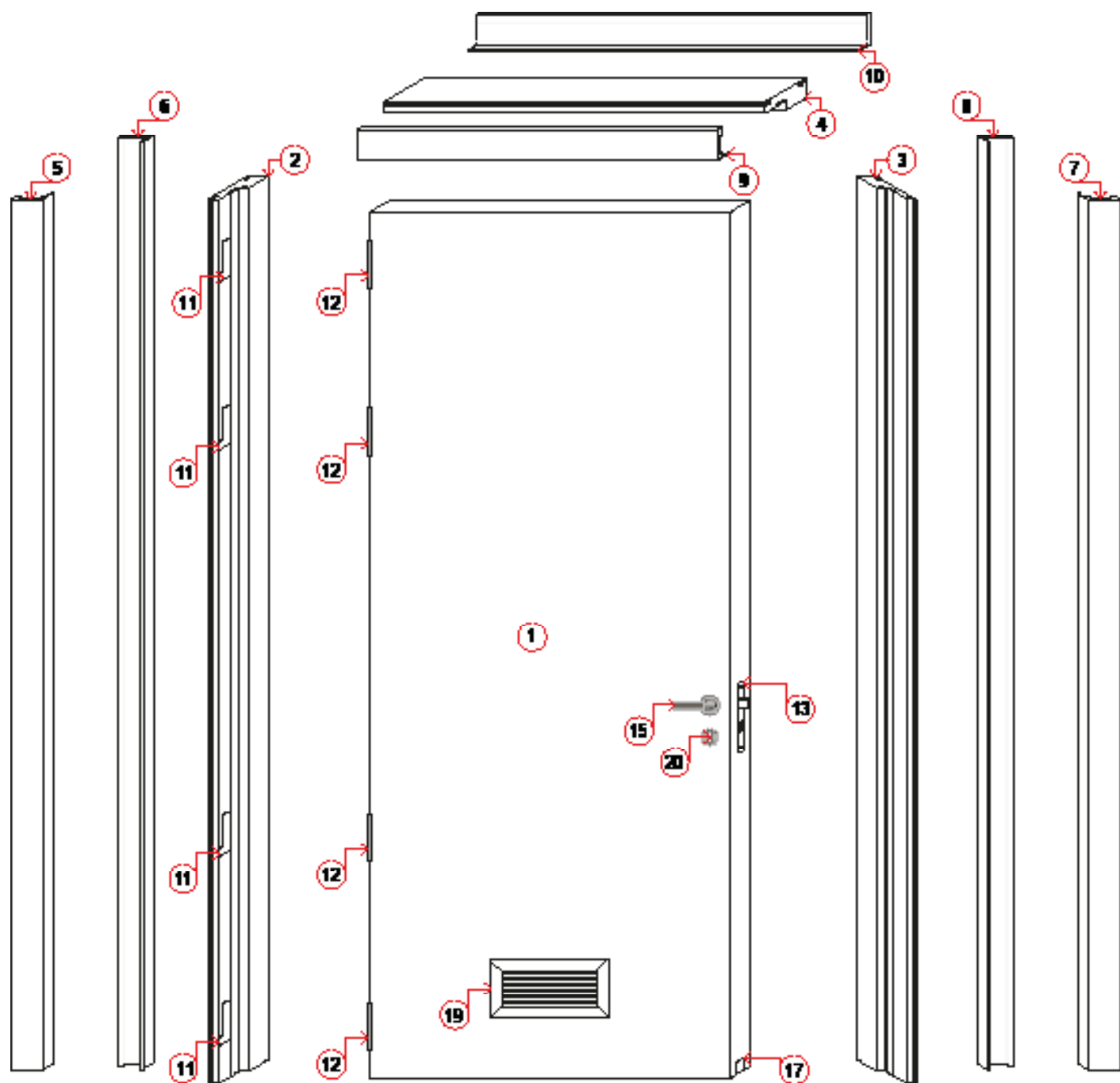
Genişlik Width	Yükseklik Height	Duvar Kalınlığı Wall Thickness
1120 mm	2200 mm	120-140 mm

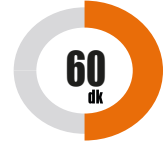


INDOOR LIFE F30G EI1 30 / EI2 30

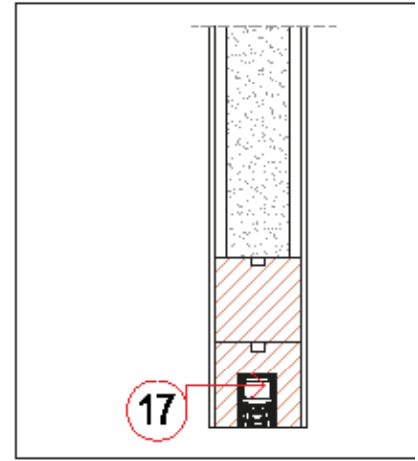
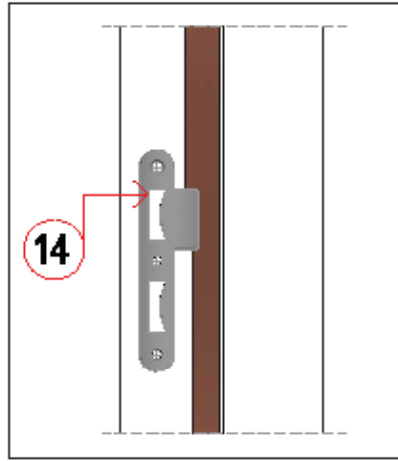
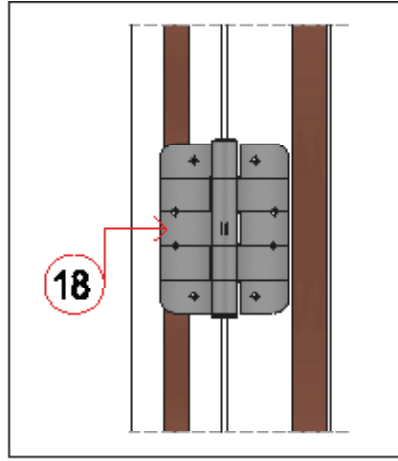
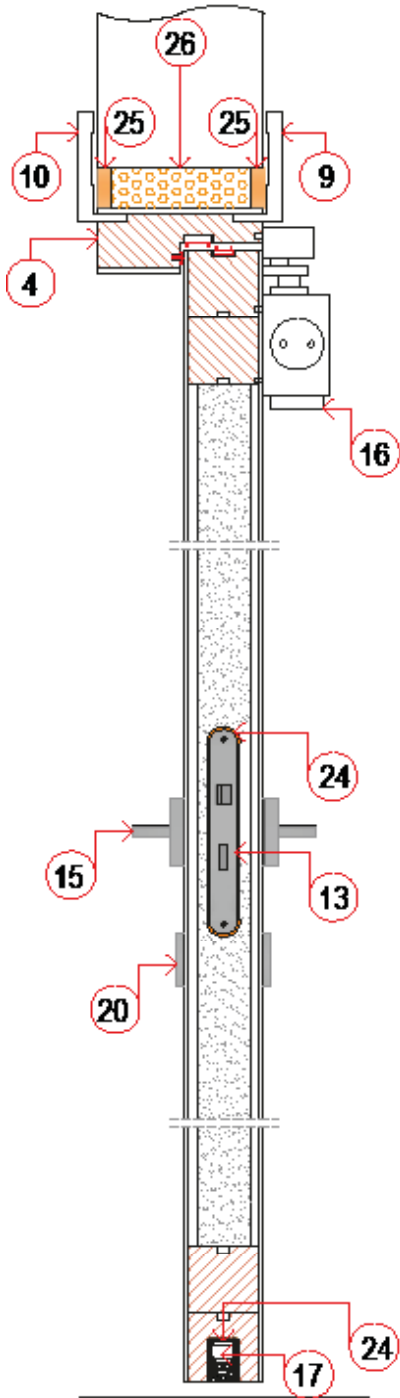
 **30 min**

- Door leaf can be opened in both directions.
- 43mm leaf thickness
- 42mm frame
- 31 dB acoustic insulation
- Concealed door closer
- Elektronik door handle & normal door handle
- Fire resistant drop-down seal
- It can be applied up to 2.80 square meter.
- Fire & smoke seal





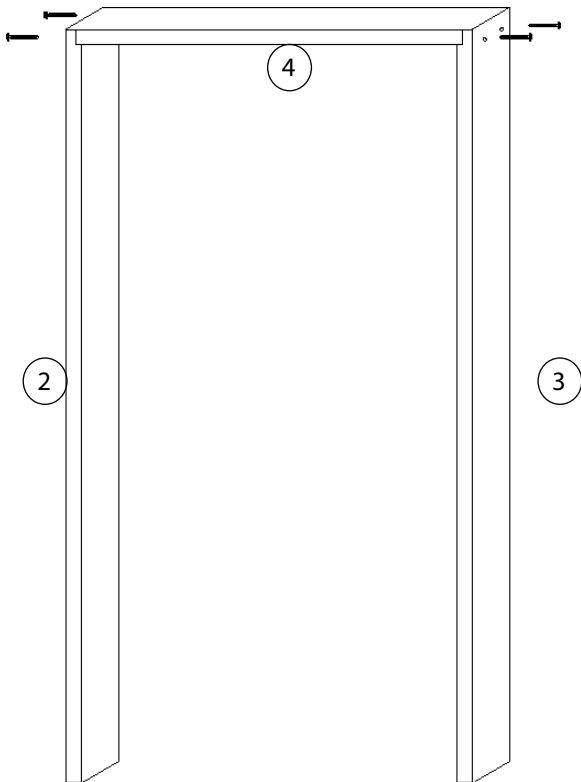
60 minutes
Fire & Smoke
Sealing



48mm WOODEN FRAME		58mm LEAF
<p>-Yangın ve Duman Fıtlı</p> <p>21</p>	<p>-Ses Fıtlı 12 mm</p> <p>23</p>	<p>-Yangın ve Duman Fıtlı</p> <p>22</p>

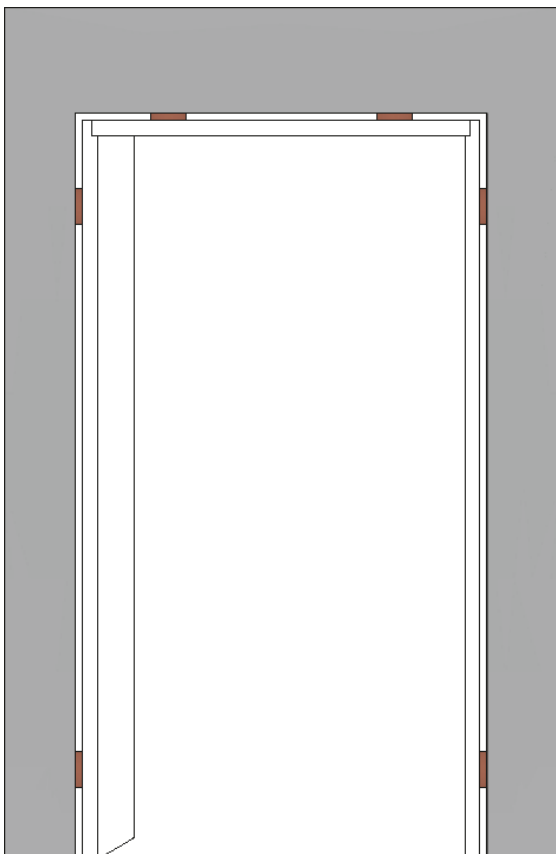
- 1 – Door Leaf
- 2 – Right Side Frame
- 3 – Left Side Frame
- 4 – Head Frame
- 5/7/9 – Inner Architraves
- 6/8/10 – Outer Architraves
- 11 – Place for Hinges (x4) on the frame
- 12 – Place for Hinges (x4) on the door leaf
- 13 – Door Lock
- 14 – Door Lock Strike Plate
- 15 – Door Handle / Electronic Door Handle
- 16 – On-Surface Door Closer
- 17 – Fire Resistant Drop-down Seal
- 18 – Butt Hinge 4 pcs
- 19 – Louver
- 20 – Euro-Lock Cylinder
- 21 – Fire & Smoke Seal 20*6mm on the frame
- 22 – Fire & Smoke Seal 15*4mm on the leaf
- 23 – Acoustic Seal on the frame
- 24 – Sub-Hardware Seal
- 25 – Fire Sealant
- 26 – Fire Resistant Foam

a) Assembling Frame



- Head frame and side frames are screwed together with 5x70 chipboard screws.
- Side frames are joined to the head frame by two screws on each side.

b) Applying Gap for Foam



- After the head frame and side frames are assembled in U form, the frame is placed in the wall opening.
- 6 wedges are clamped on the upper side of the head frame (between the wall and the case).
- Frame alignment is done. It is controlled with a water gauge.

c) Hinge Installation Stages

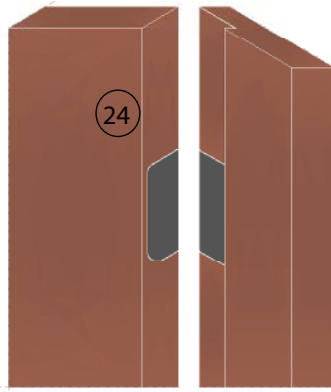


Figure – 1

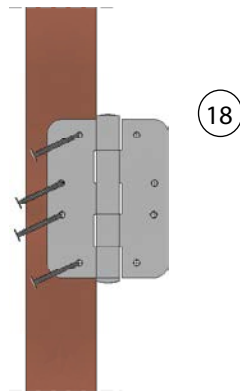


Figure – 2

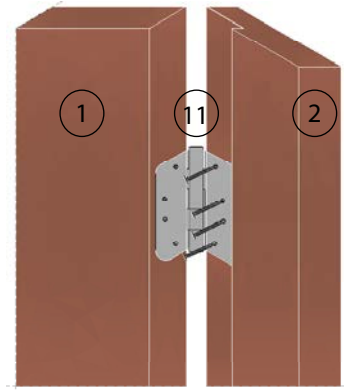


Figure – 3

Figure 1 : Sub-hardware seal is placed on the hinge places on the frame and leaf.

Figure 2 : 4 hinges are screwed to the door leaf first.

Figure 3 : With the help of two people, the door leaf to which the hinge is screwed is brought closer to the hinge places on the framed and screwed, and so the leaf is mounted on the frame.

d) Fitting the Leaf and Tension Rod

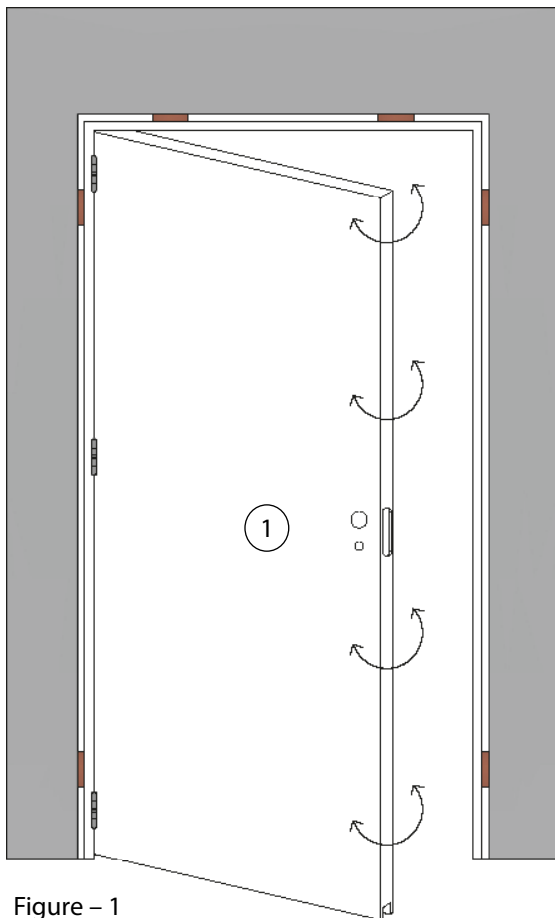


Figure – 1

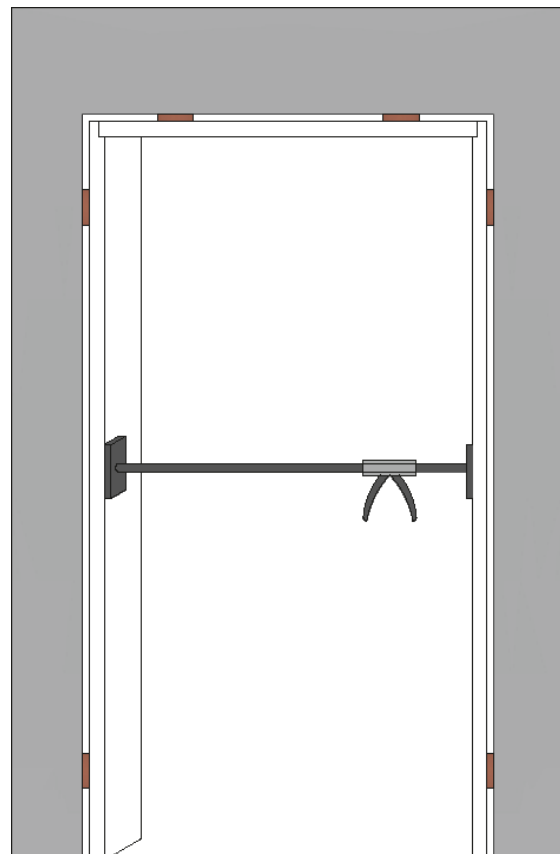
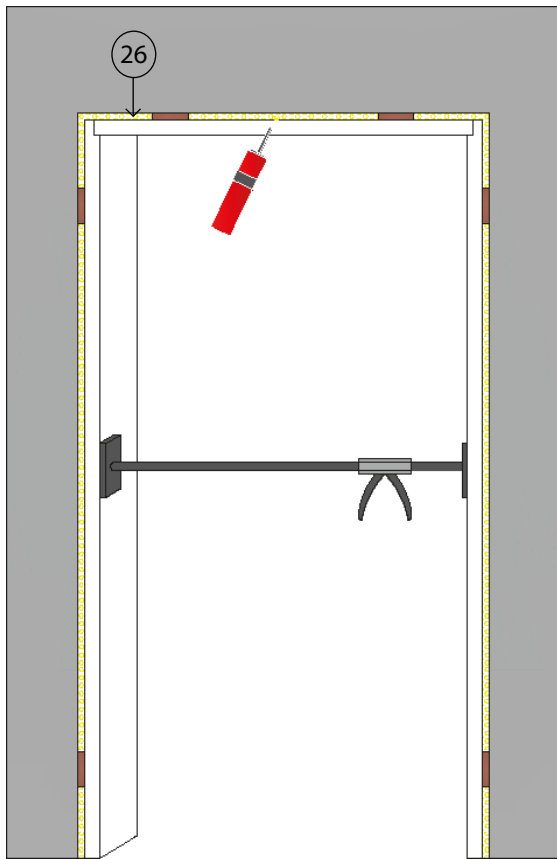


Figure – 2

Figure – 1 : Door fitting is done by performing the opening-closing movement.

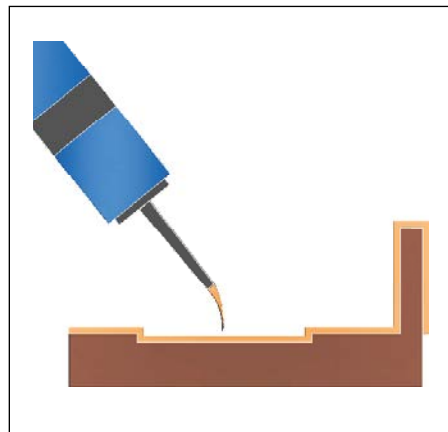
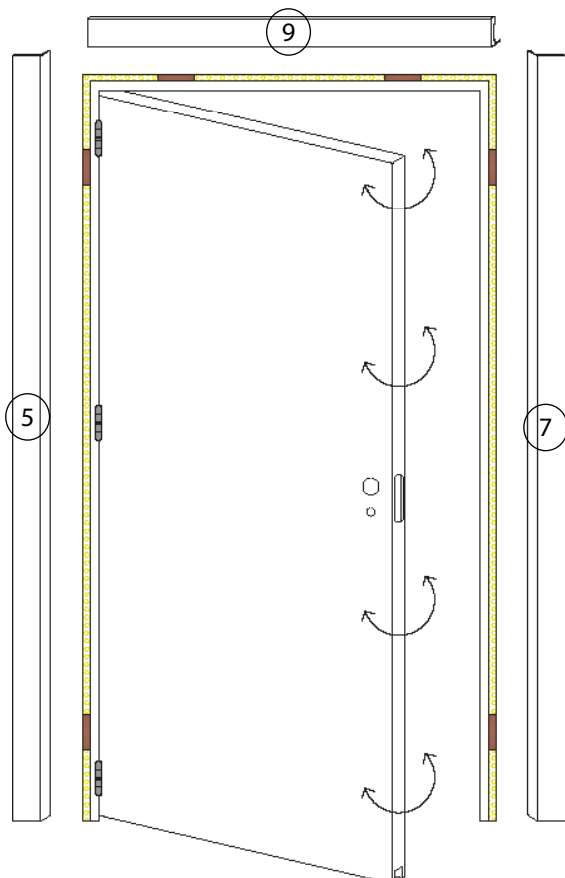
Figure – 2 : A tension rod is placed between the side frames.

e) Applying Fire Resistant Foam



- Assembly foam is applied to the gap between the case and the wall, with no gap left, and it is left to dry.
- Drying time is 2 hours in summer and 3 hours in winter depending on weather conditions.
- After the foam has dried, the overflowing parts are trimmed with a utility knife.

f) Applying Fire Sealant and Installing Architrave



- After the architraves are cut according to the frame size, silicone is applied to the back of the architrave.
- The architraves are attached to the frame so that the nose of the architraves enters into the groove.
- Outer architraves (6/8/10) are also installed with the same method.

g) Installing Fire Door Hardware

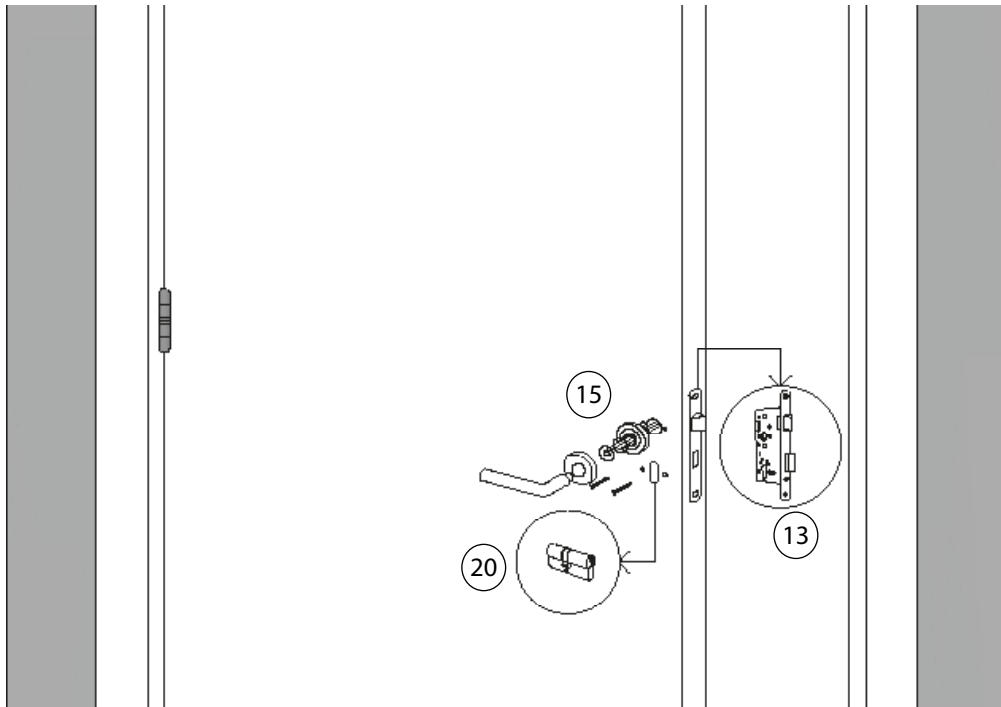


Figure - 1

- **Handle & Lock Installation:** If the lock is a manual lock, the location of the lock is ready on the leaf. Its direction (right / left) is determined and mounted. The handle is screwed into place.
- It is checked whether the lock is working correctly on the frame and the leaf. Adjustments are made.

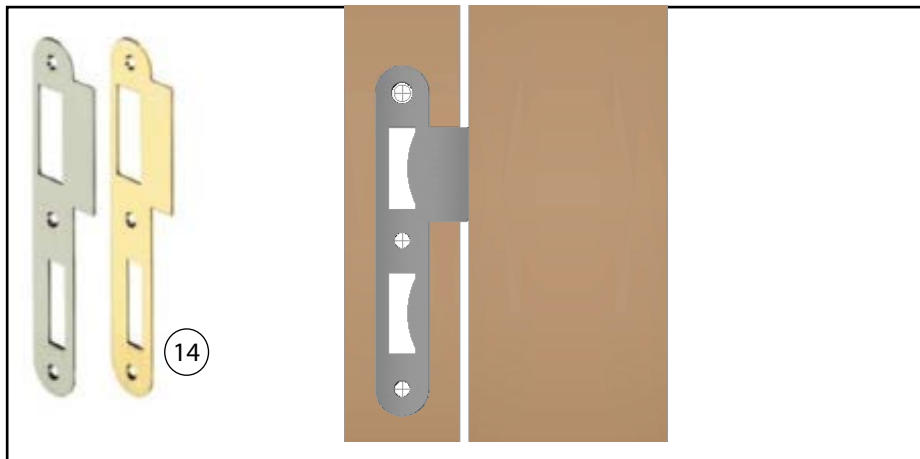
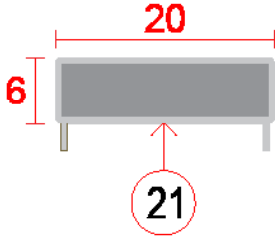
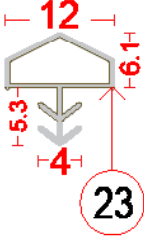
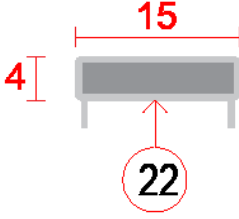


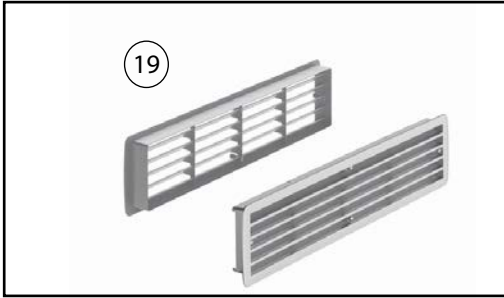
Figure - 2

- **Lock Strike Plate Installation:** The location of the lock strike plate is ready on the leaf. It is mounted with a screw suitable for assembly.

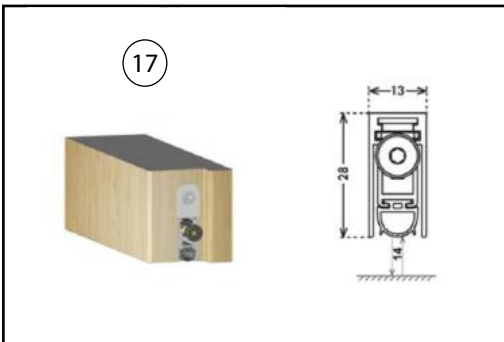
g) Installing Fire Door Hardware

48mm WOODEN FRAME		58mm LEAF
-Yangın ve Duman Fitili	-Ses Fitili 12 mm	-Yangın ve Duman Fitili
		

- Fire & Smoke Seals, Acoustic Seal: It is installed on the door leaf during the production stage. It should be checked during assembly.



- Louver: It is installed on the door leaf during the production stage. It should be checked during assembly.



- Drop-down Seal: It is installed on the door leaf during the production stage. Door-drop-down seal adjustment is made during the installation stage.

- When the door is in closed position, it should be positioned to cover the bottom gap.



- On-Surface Door Closer: The On-Surface Door Closer is installed in accordance with the user manual that comes in the box.

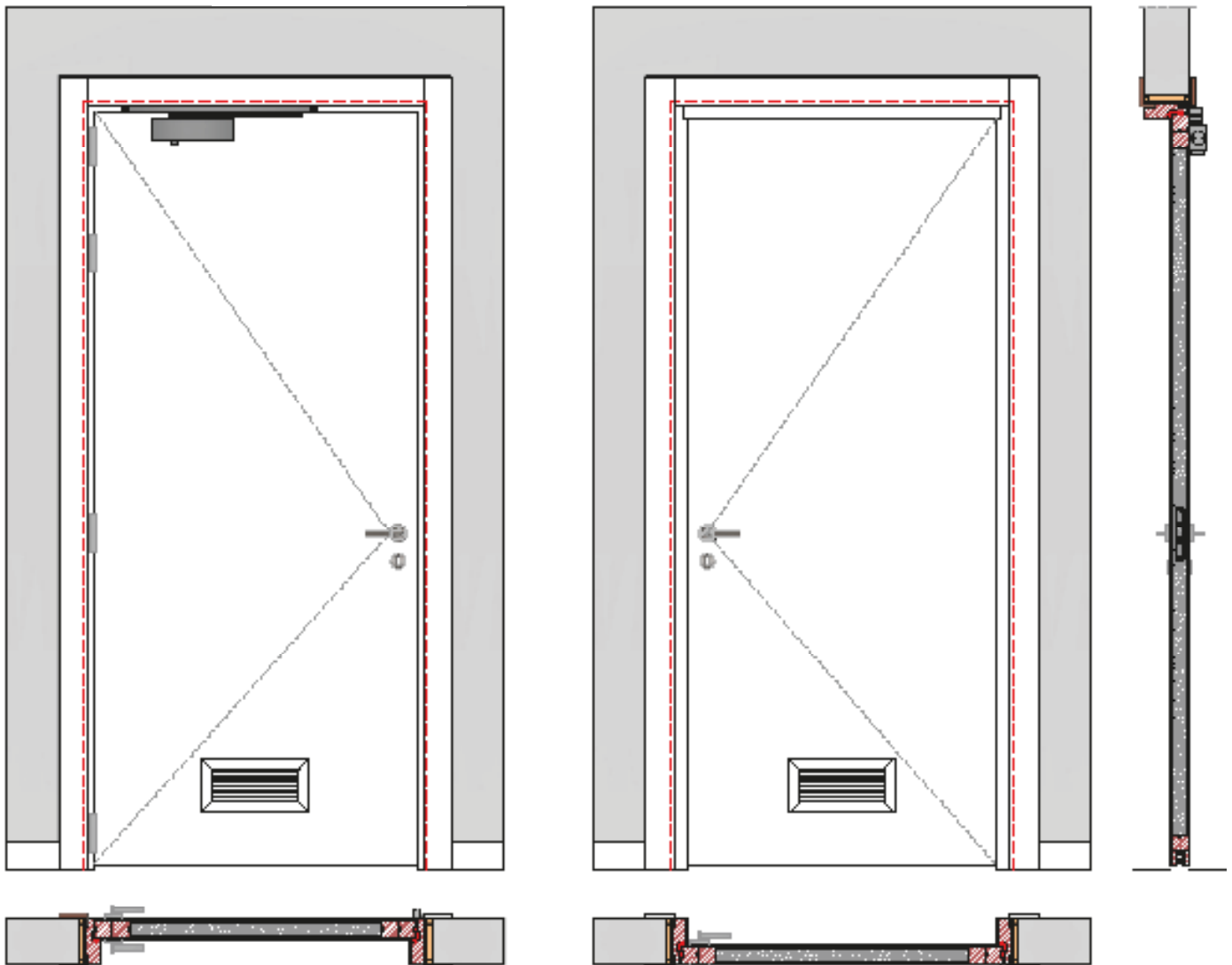
COMPLETING THE INSTALLATION

Indoor Life

 **60 min**

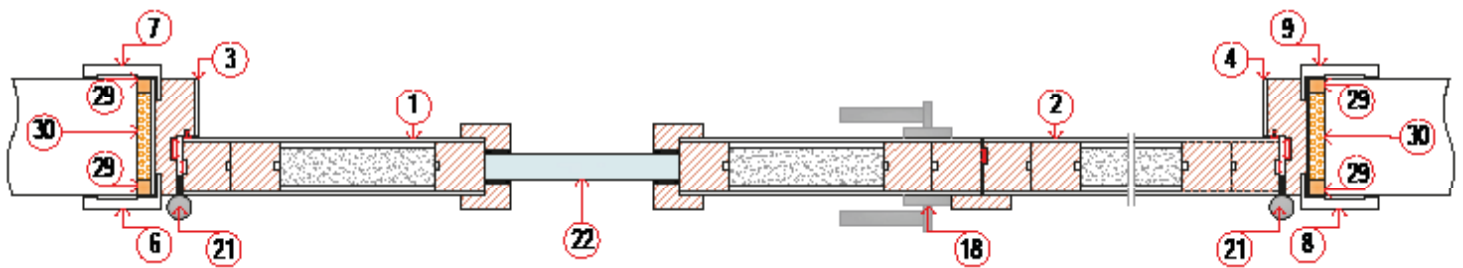
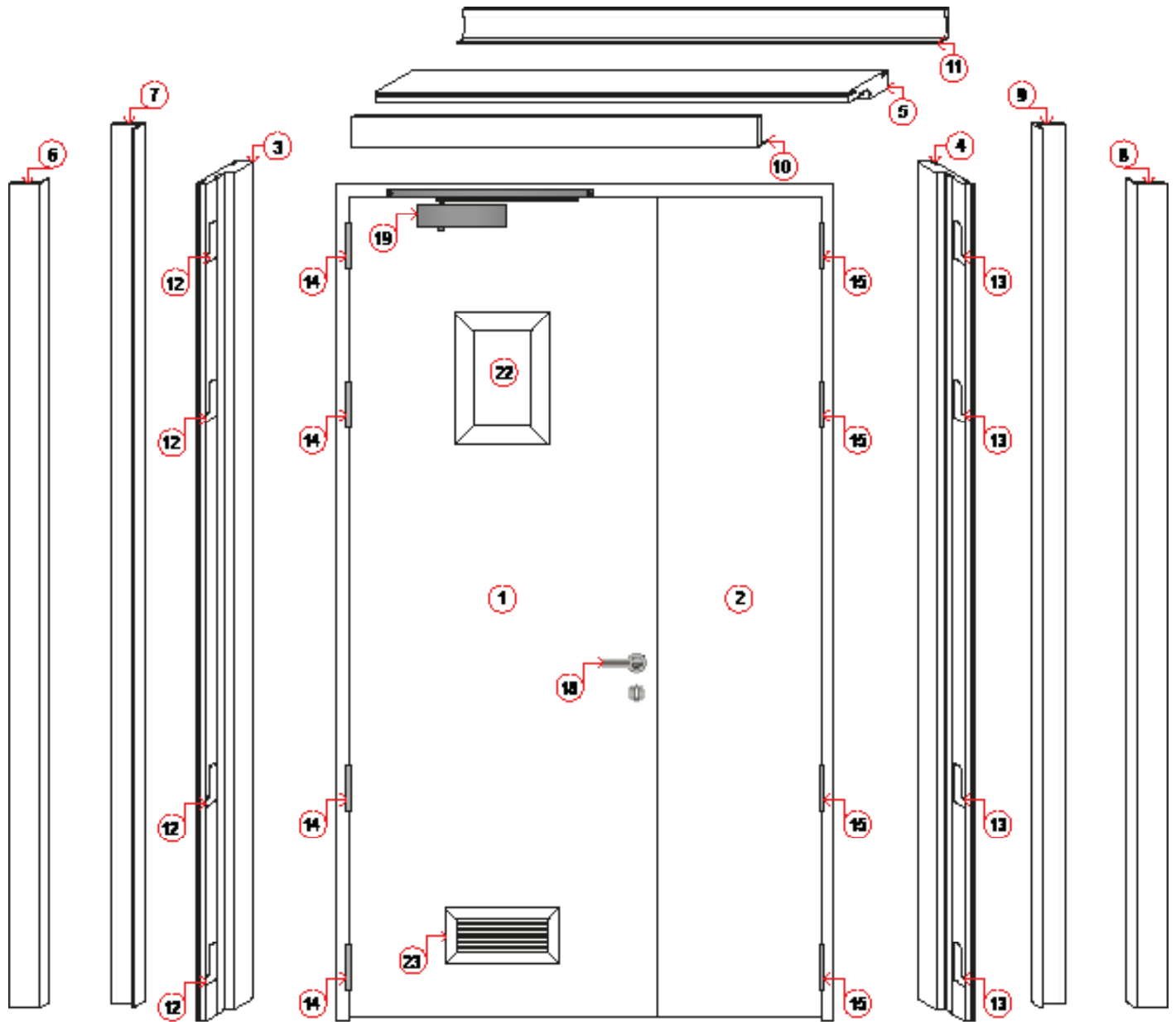
Indoor Life F60 EI1 60 / EI2 60

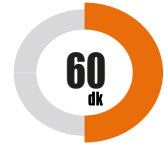
Height (H)	Width (B)	Door Thickness (T)
1000 mm	2180 mm	120-140 mm



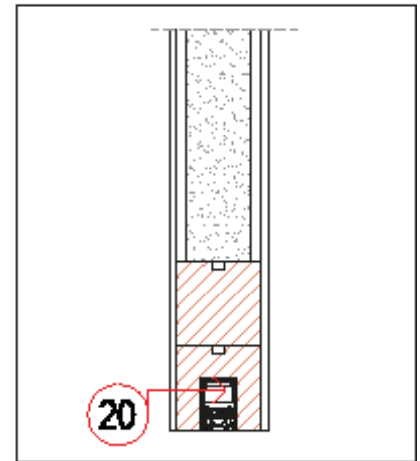
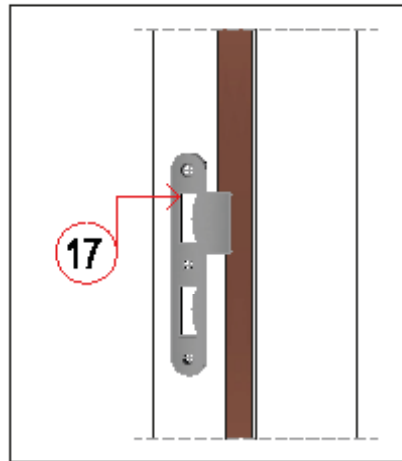
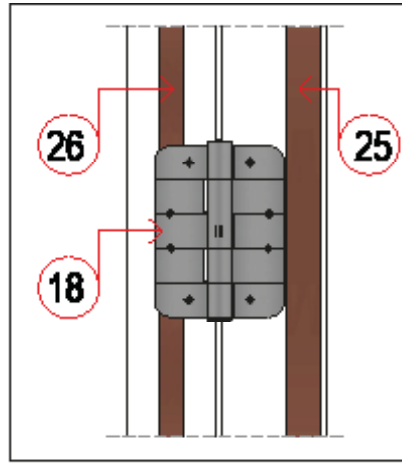
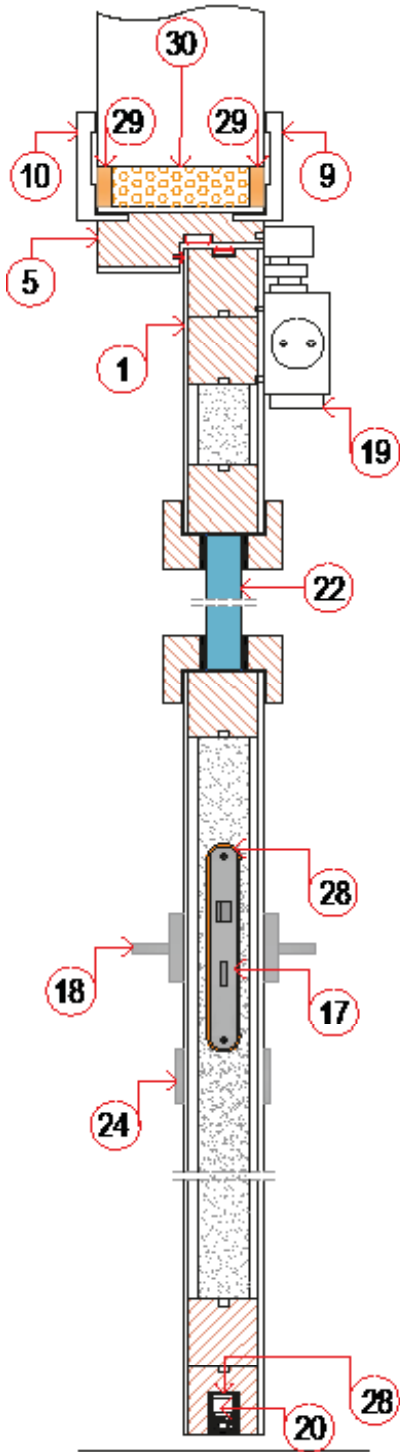
INDOOR LIFE F60 EI1 60 / EI2 60

- Door leaf can be opened in both directions.
- Concealed door closer
- 58mm leaf thickness
- Fire resistant drop-down seal
- 48mm frame
- It can be applied up to 3.60 square meter.
- 38 dB acoustic insulation
- Fire & smoke seal
- Normal door handle





60 minutes
Fire & Smoke
Sealing

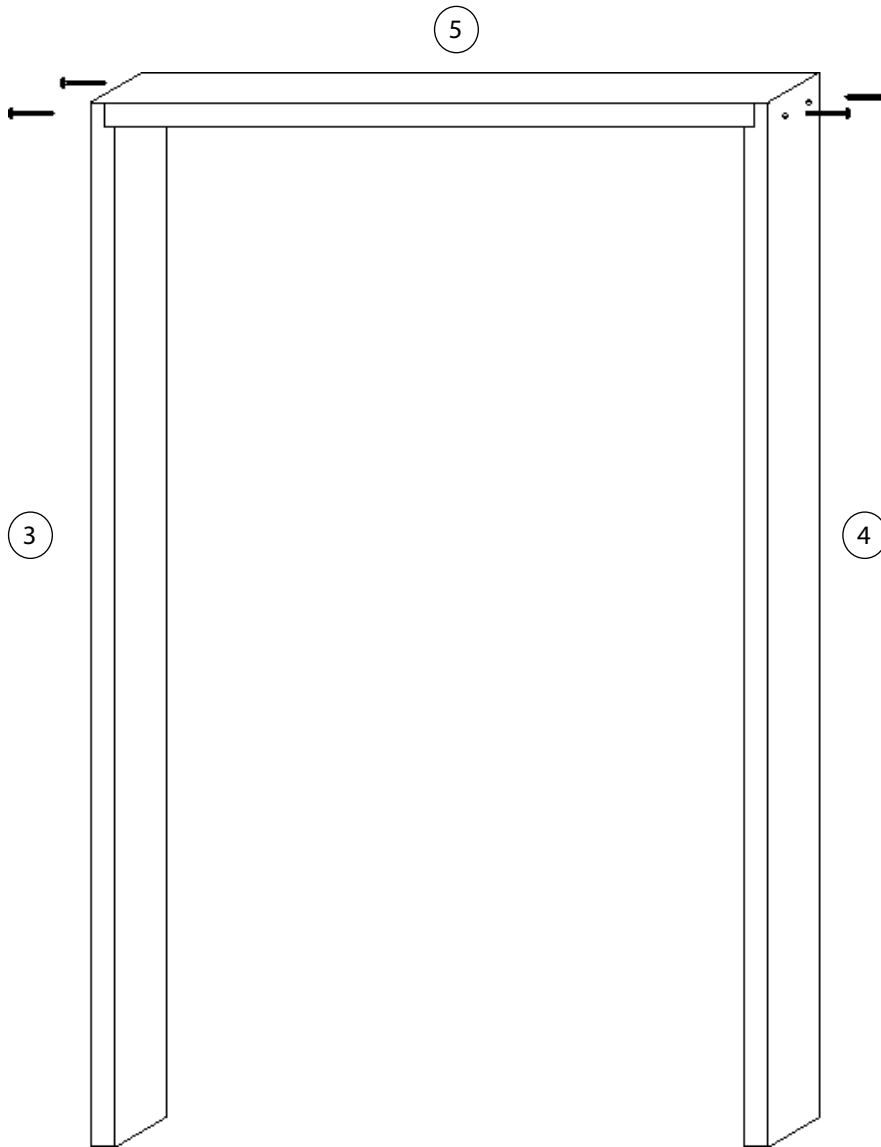


48mm WOODEN FRAME		58mm LEAF
-Yangın ve Duman Fıllı	- Ses Fıllı 12 mm	-Yangın ve Duman Fıllı
25	27	26

- 1 – Big Leaf
- 2 – Small Leaf
- 3 – Right Side Frame
- 4 – Left Side Frame
- 5 – Head Frame
- 6/8/10 – Inner Architraves
- 7/9/11 – Outer Architraves
- 12 – Place for Hinges (x4) on the right frame
- 13 – Place for Hinges (x4) on the left frame
- 14 – Place for Hinges (x4) on the big leaf
- 15 – Place for Hinges (x4) on the small leaf
- 16 – Door Lock
- 17 – Door Lock Strike Plate

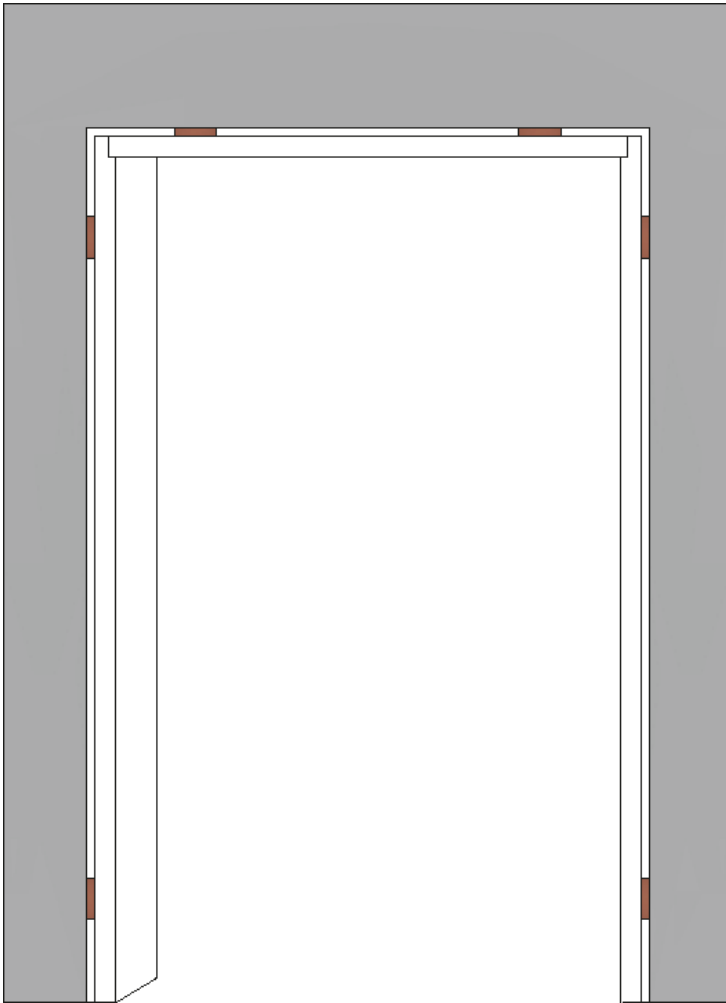
- 18 – On-Surface Door Closer
- 19 – Fire Resistant Drop-down Seal
- 21 – Butt Hinge 8 pcs
- 22 – Vision Panel
- 23 – Louver
- 24 – Euro Lock Cylinder
- 25 – Fire & Smoke Seal 20*6mm on the frame
- 26 – Fire & Smoke Seal 15*4mm on the leaf
- 27 – Acoustic Seal on the frame
- 28 – Sub-Hardware Seal
- 29 – Fire Sealant
- 30 – Fire Resistant Foam

a) Assembling Frame



- Head frame and side frames are screwed together with 5x70 chipboard screws.
- Side frames are joined to the head frame by two screws on each side.

b) Applying Gap for Foam



- After the head frame and side frames are assembled in U form, the frame is placed in the wall opening.
- 6 wedges are clamped on the upper side of the head frame (between the wall and the case).
- Frame alignment is done. It is controlled with a water gauge.

c) Hinge Installation Stages



Figure – 1

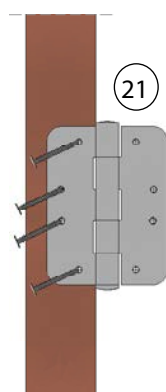


Figure – 2

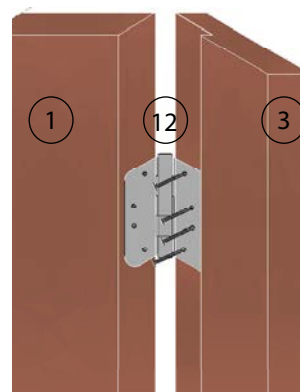


Figure – 3

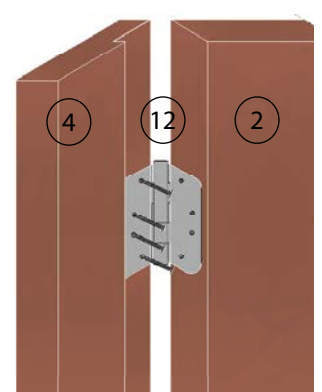


Figure – 4

Figure 1 : Sub-hardware seal is placed on the hinge places on the frame and leaf.

Figure 2 : 4 hinges are screwed to the door leaf.

Figure 3 : With the help of two people, the big door leaf to which the hinge is screwed is brought closer to the hinge places on the frame and screwed, and so the big leaf is mounted on the frame.

Figure 4 : With the help of two people, the small door leaf to which the hinge is screwed is brought closer to the hinge places on the frame and screwed, and so the small leaf is mounted on the frame.

d) Fitting the Leaf and Tension Rod

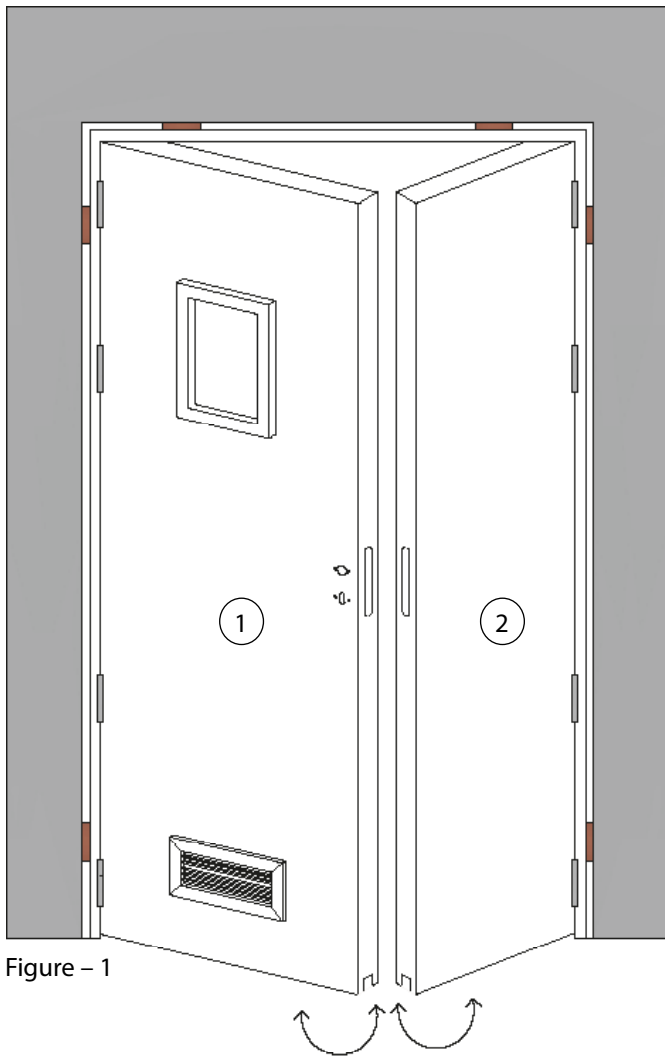


Figure – 1 : Door fitting is done by performing the opening-closing movement.

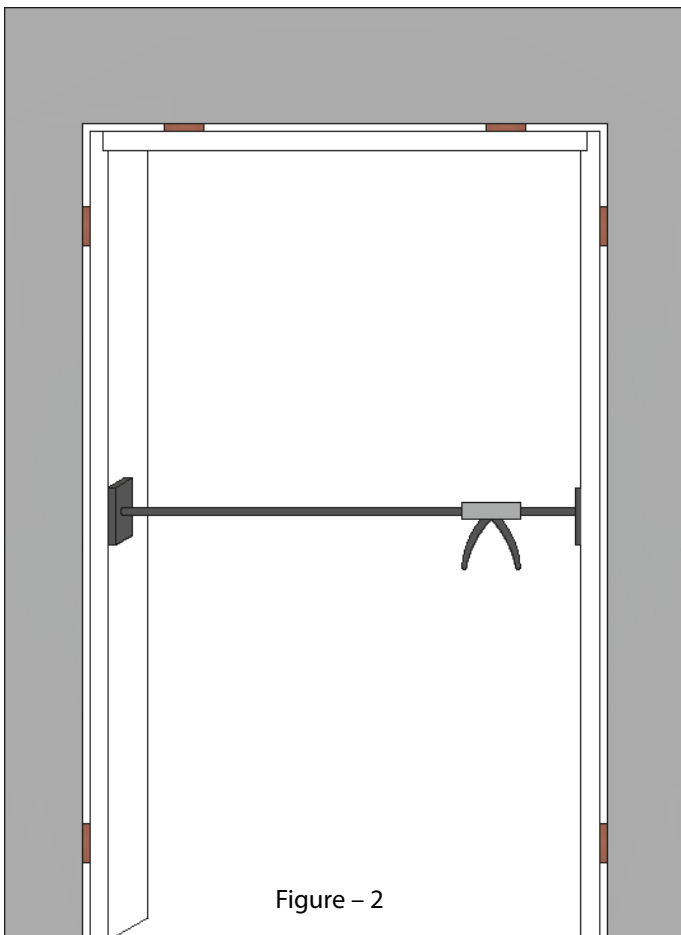
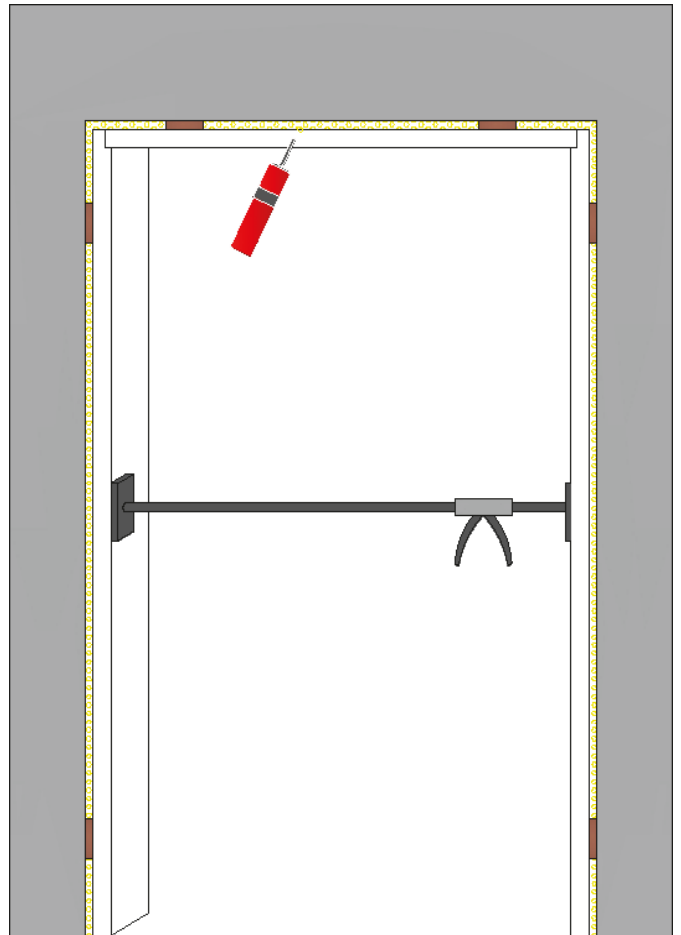


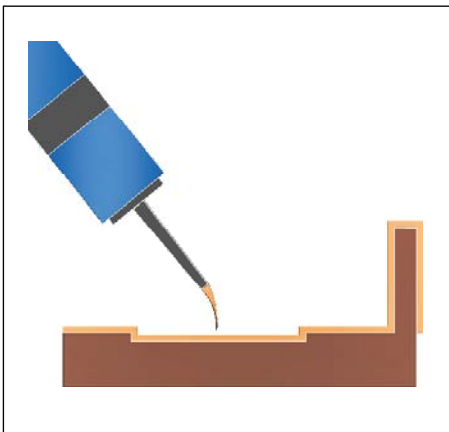
Figure – 2 : A tension rod is placed between the side frames.

e) Applying Fire Resistant Foam

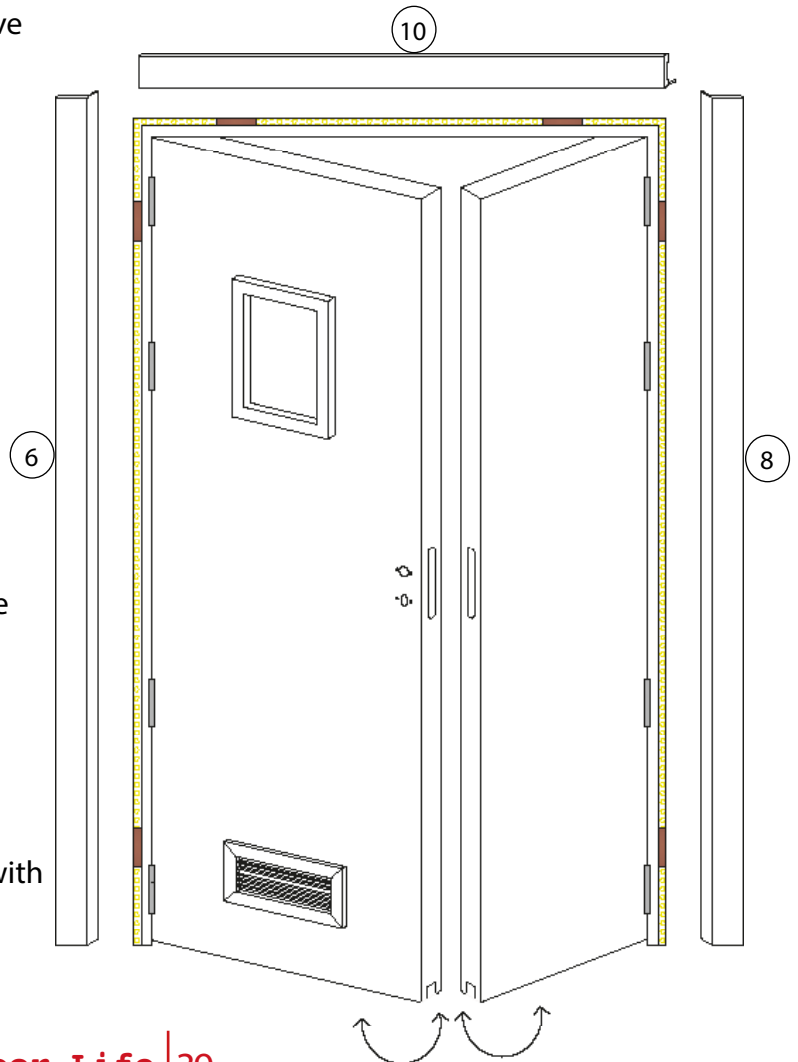
- Assembly foam is applied to the gap between the case and the wall, with no gap left, and it is left to dry.
- Drying time is 2 hours in summer and 3 hours in winter depending on weather conditions.
- After the foam has dried, the overflowing parts are trimmed with a utility knife.



f) Applying Fire Sealant and Installing Architrave



- After the architraves are cut according to the frame size, silicone is applied to the back of the architrave.
- The architraves are attached to the frame so that the nose of the architraves enters into the groove.
- Outer architraves (7/9/11) are also installed with the same method.



g) Installing Fire Door Hardware

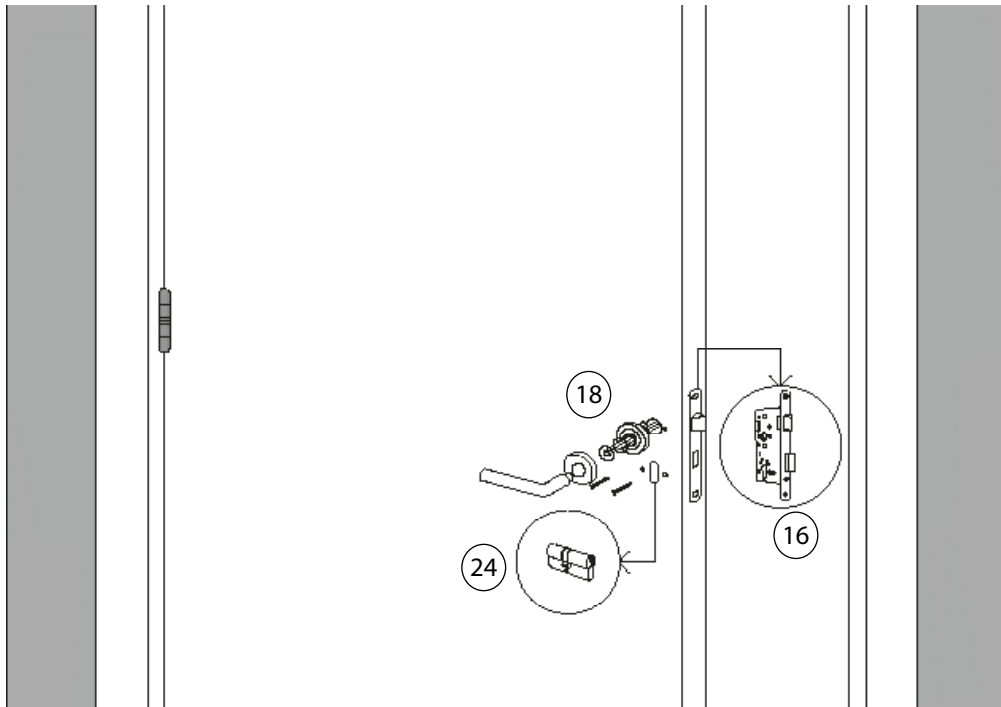


Figure - 1

- **Handle & Lock Installation:** If the lock is a manual lock, the location of the lock is ready on the leaf. Its direction (right / left) is determined and mounted. The handle is screwed into place.
- It is checked whether the lock is working correctly on the frame and the leaf. Adjustments are made.

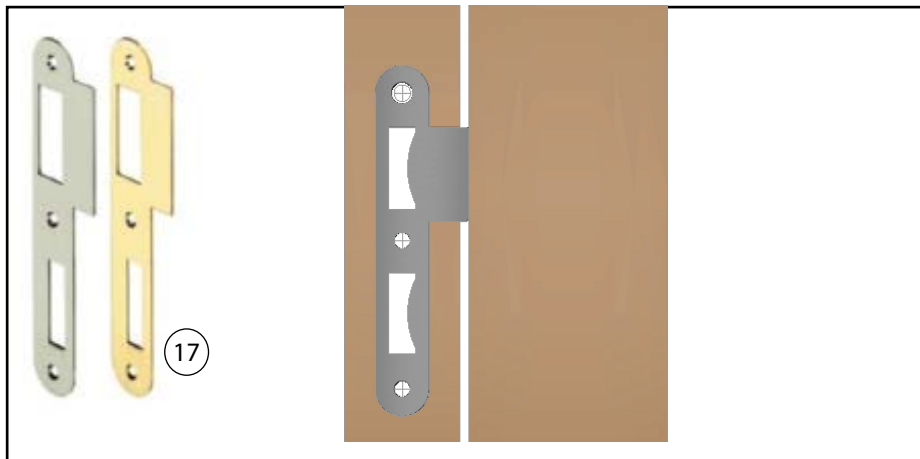
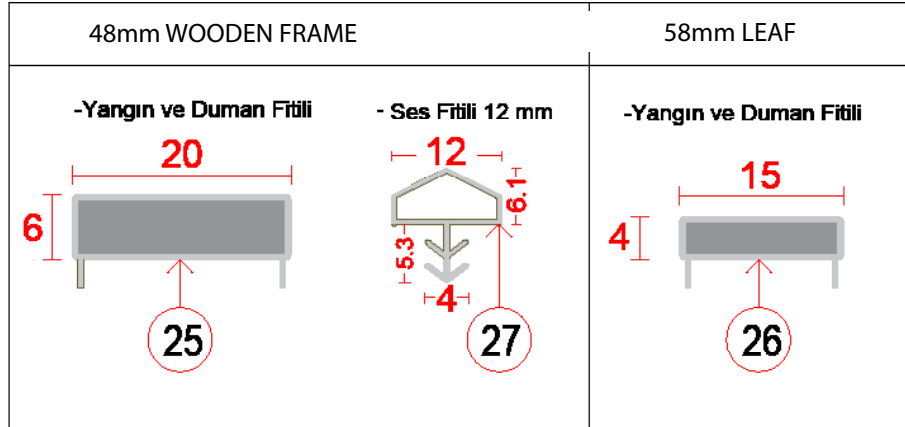


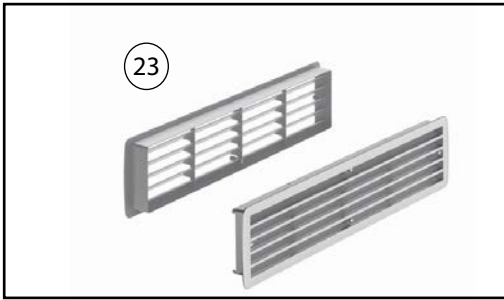
Figure - 2

- **Lock Strike Plate Installation:** The location of the lock strike plate is ready on the leaf. It is mounted with a screw suitable for assembly.

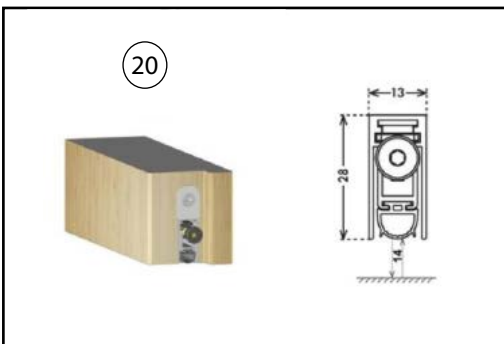
g) Installing Fire Door Hardware



- Fire & Smoke Seals, Acoustic Seal: It is installed on the door leaf during the production stage. It should be checked during assembly.



- Louver: It is installed on the door leaf during the production stage. It should be checked during assembly.



- Drop-down Seal: It is installed on the door leaf during the production stage. Door-drop-down seal adjustment is made during the installation stage.

- When the door is in closed position, it should be positioned to cover the bottom gap.



- On-Surface Door Closer: The On-Surface Door Closer is installed in accordance with the user manual that comes in the box.

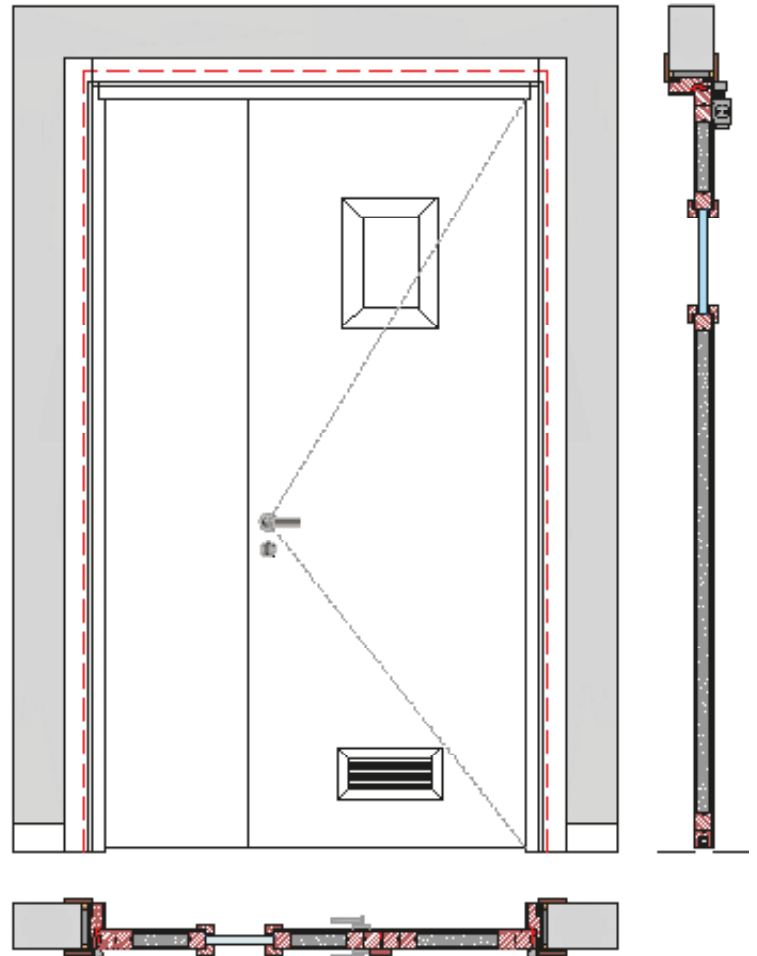
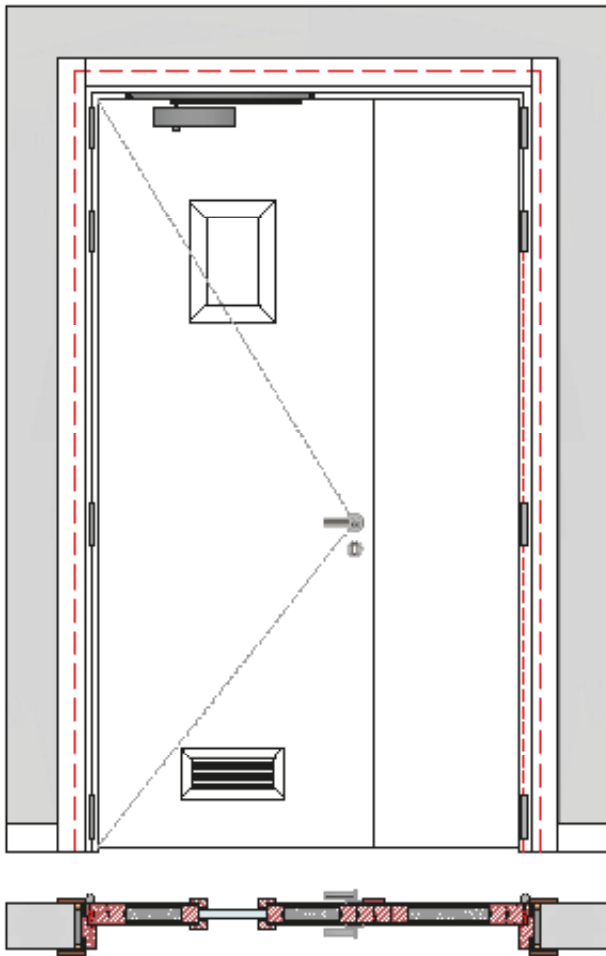
COMPLETING THE INSTALLATION

Indoor Life

 **60 min**

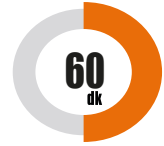
Indoor Life F60 EI1 60 / EI2 60

Clearthick (E1)	Ylläkköthick (E2)	Door Platehigh (E3)
1350 mm	2200 mm	120-140 mm



INDOOR LIFE F60 EI1 60 / EI2 60

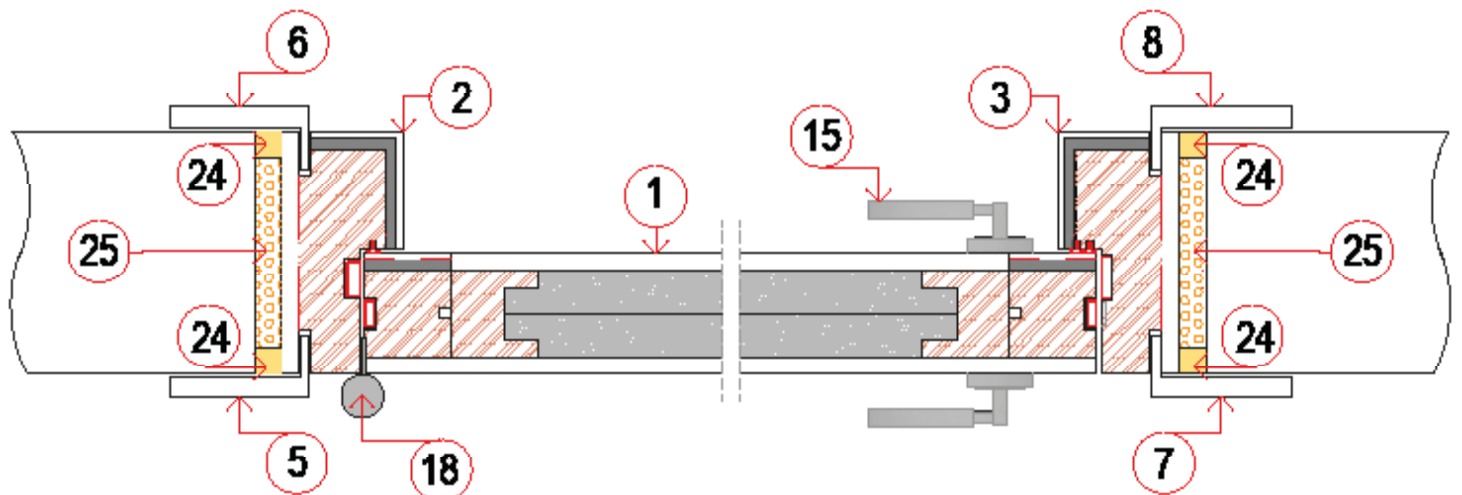
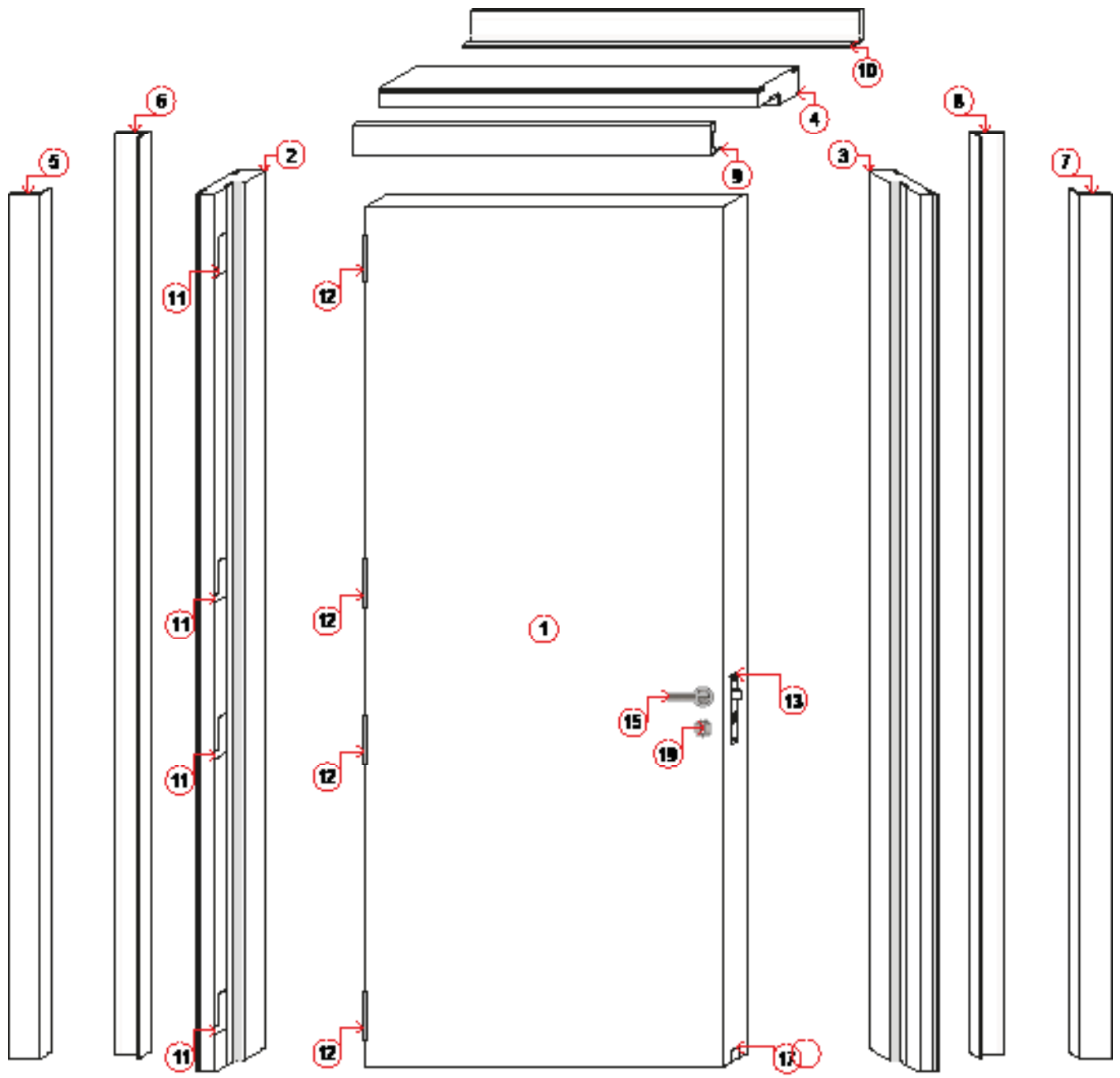
- Door leaf can be opened in both directions.
- 58mm leaf thickness
- 48mm frame
- 38 dB acoustic insulation
- Normal door handle
- Concealed door closer
- Fire resistant drop-down seal
- It can be applied up to 3.60 square meter.
- Fire & smoke seal

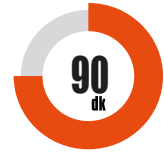
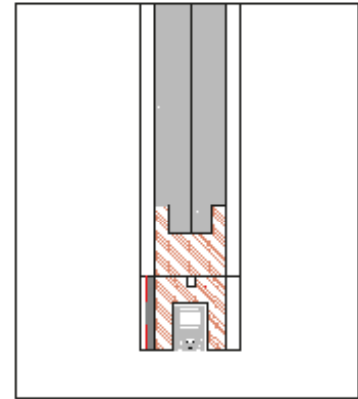
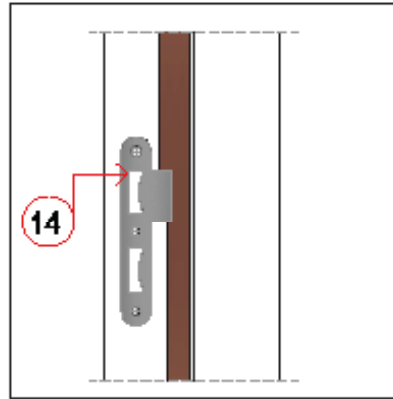
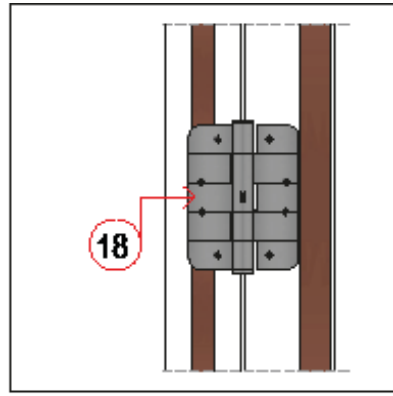
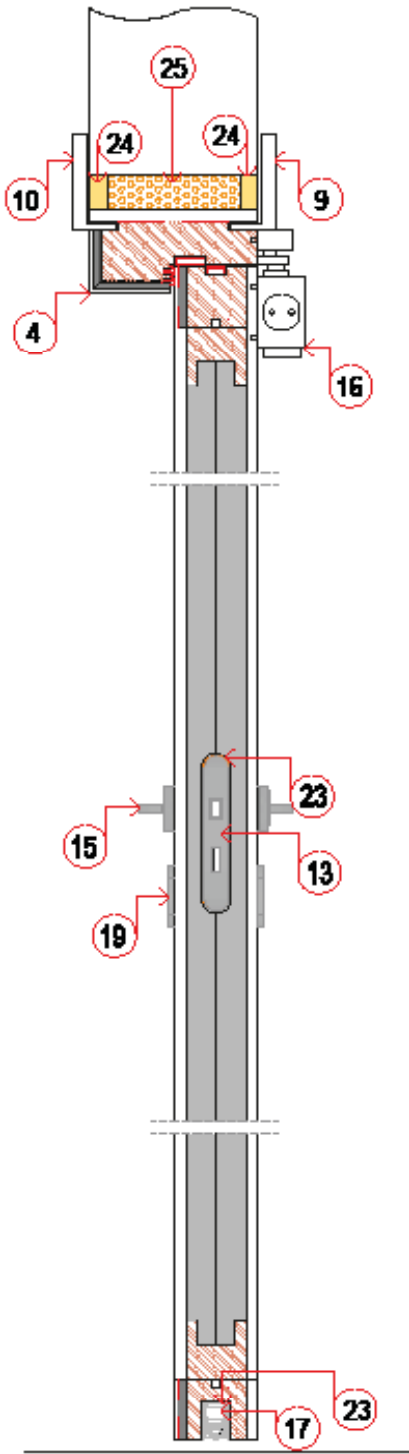


EI60

60 minutes
Fire & Smoke
Sealing







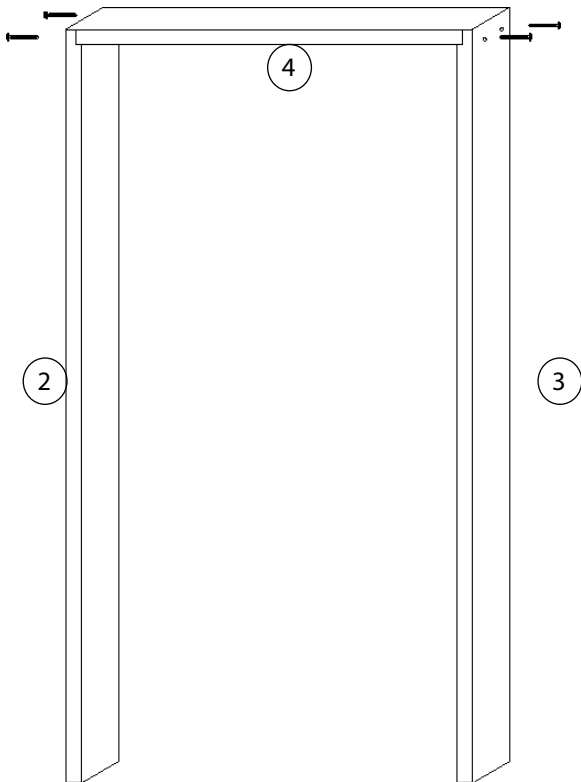
90 minutes
Fire & Smoke
Sealing

70mm WOODEN FRAME		70mm LEAF
-Yangın ve Duman Fıtlı - Çift Ses Fıtlı 12 mm		-Yangın ve Duman Fıtlı
20	22	21

- 1 – Door Leaf
- 2 – Right Side Frame
- 3 – Left Side Frame
- 4 – Head Frame
- 5/7/9 – Inner Architraves
- 6/8/10 – Outer Architraves
- 11 – Place for Hinges (x4) on the frame
- 12 – Place for Hinges (x4) on the door leaf
- 13 – Door Lock
- 14 – Door Lock Strike Plate
- 15 – Door Handle

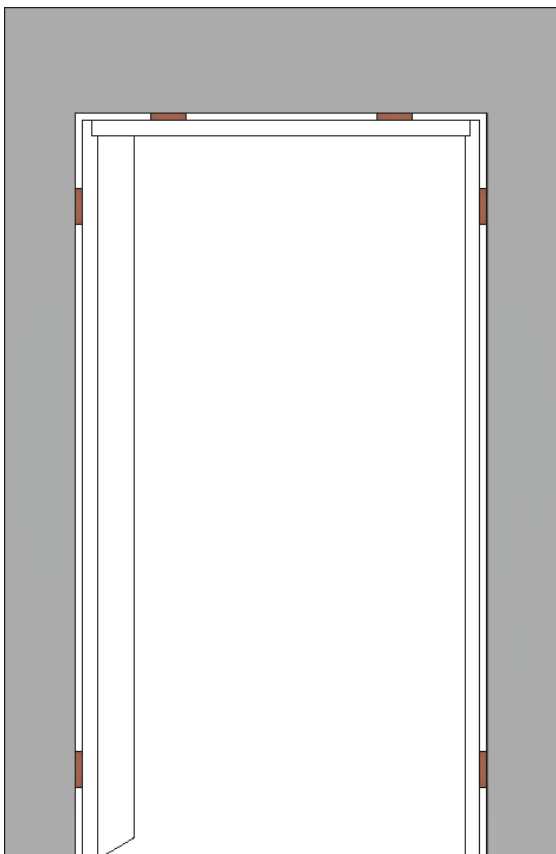
- 16 – On-Surface Door Closer
- 17 – Fire Resistant Drop-down Seal
- 18 – Butt Hinge 4 pcs
- 19 – Euro-Lock Cylinder
- 20 – Fire & Smoke Seal 25*6mm on the frame
- 21 – Fire & Smoke Seal 15*4mm on the leaf
- 22 – Double Acoustic Seal on the frame
- 23 – Sub-Hardware Seal
- 24 – Fire Sealant
- 25 – Fire Resistant Foam

a) Assembling Frame



- Head frame and side frames are screwed together with 5x70 chipboard screws.
- Side frames are joined to the head frame by two screws on each side.

b) Applying Gap for Foam



- After the head frame and side frames are assembled in U form, the frame is placed in the wall opening.
- 6 wedges are clamped on the upper side of the head frame (between the wall and the case).
- Frame alignment is done. It is controlled with a water gauge.

c) Hinge Installation Stages

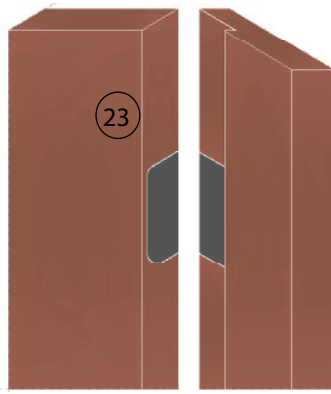


Figure – 1

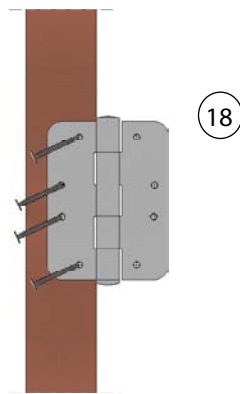


Figure – 2

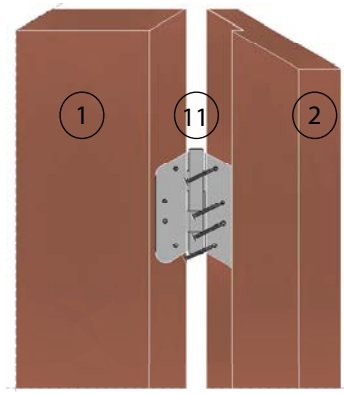


Figure – 3

Figure 1 : Sub-hardware seal is placed on the hinge places on the frame and leaf.

Figure 2 : 4 hinges are screwed to the door leaf first.

Figure 3 : With the help of two people, the door leaf to which the hinge is screwed is brought closer to the hinge places on the framed and screwed, and so the leaf is mounted on the frame.

d) Fitting the Leaf and Tension Rod

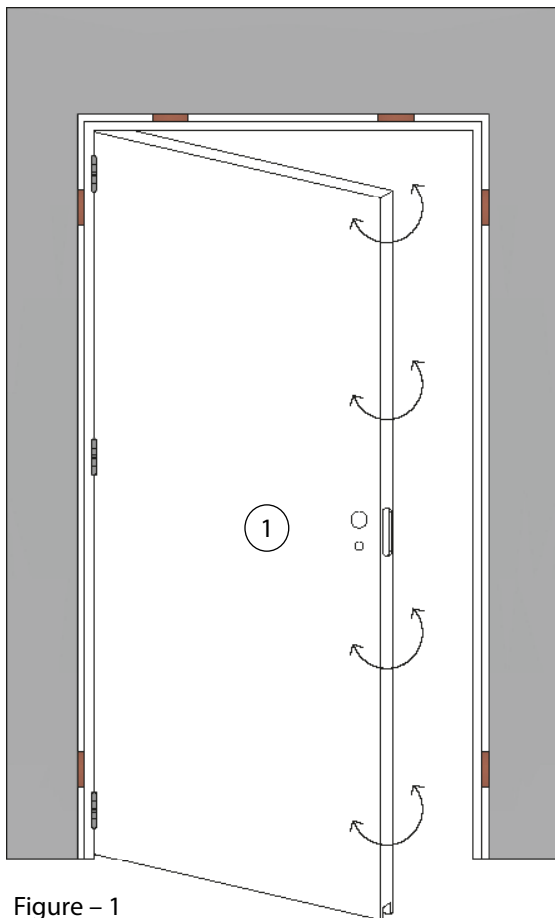


Figure – 1

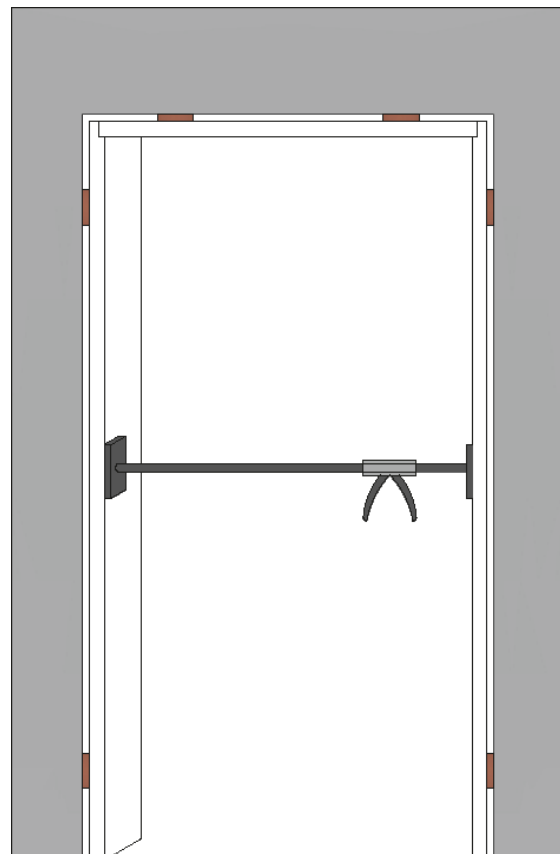
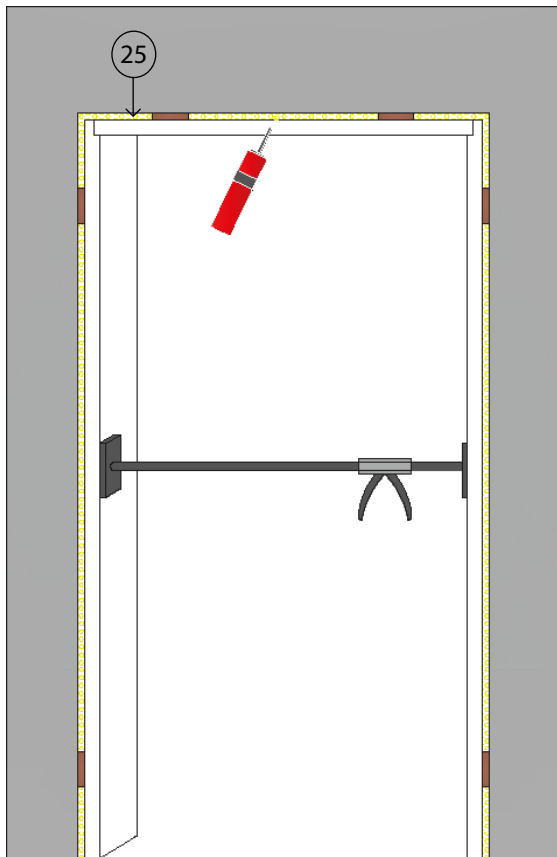


Figure – 2

Figure – 1 : Door fitting is done by performing the opening-closing movement.

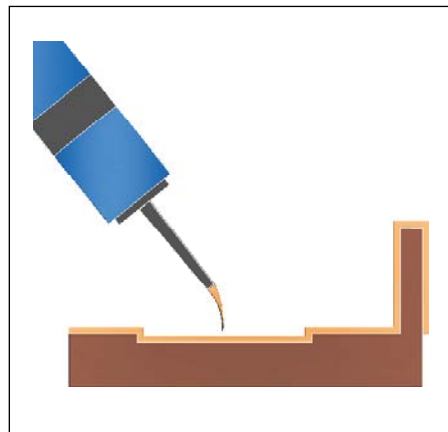
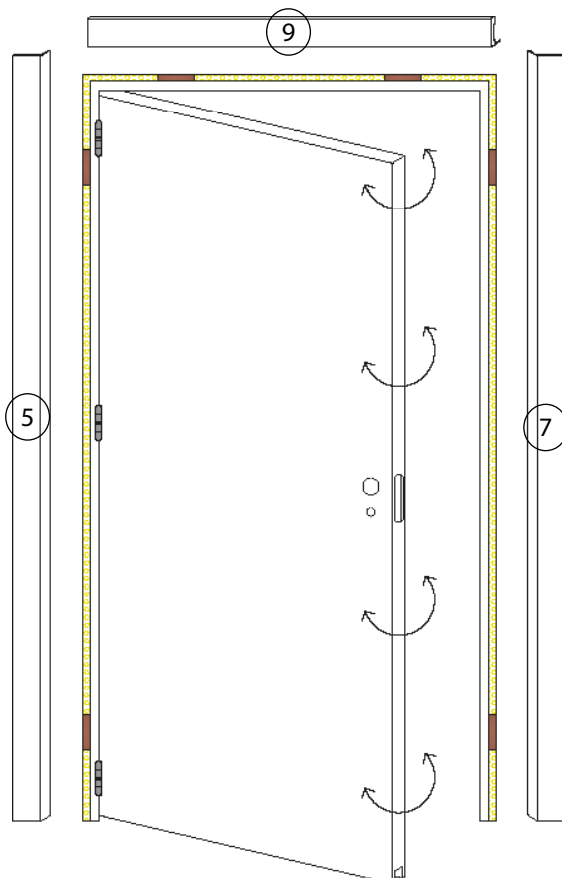
Figure – 2 : A tension rod is placed between the side frames.

e) Applying Fire Resistant Foam



- Assembly foam is applied to the gap between the case and the wall, with no gap left, and it is left to dry.
- Drying time is 2 hours in summer and 3 hours in winter depending on weather conditions.
- After the foam has dried, the overflowing parts are trimmed with a utility knife.

f) Applying Fire Sealant and Installing Architrave



- After the architraves are cut according to the frame size, silicone is applied to the back of the architrave.
- The architraves are attached to the frame so that the nose of the architraves enters into the groove.
- Outer architraves (6/8/10) are also installed with the same method.

g) Installing Fire Door Hardware

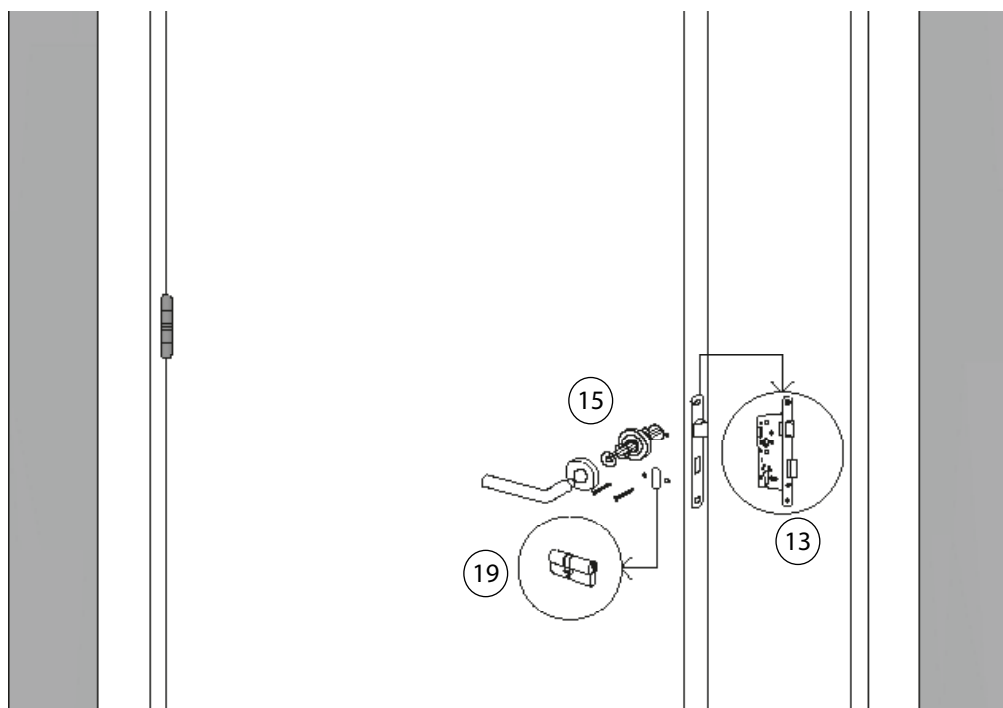


Figure - 1

- **Handle & Lock Installation:** If the lock is a manual lock, the location of the lock is ready on the leaf. Its direction (right / left) is determined and mounted. The handle is screwed into place.
- It is checked whether the lock is working correctly on the frame and the leaf. Adjustments are made.

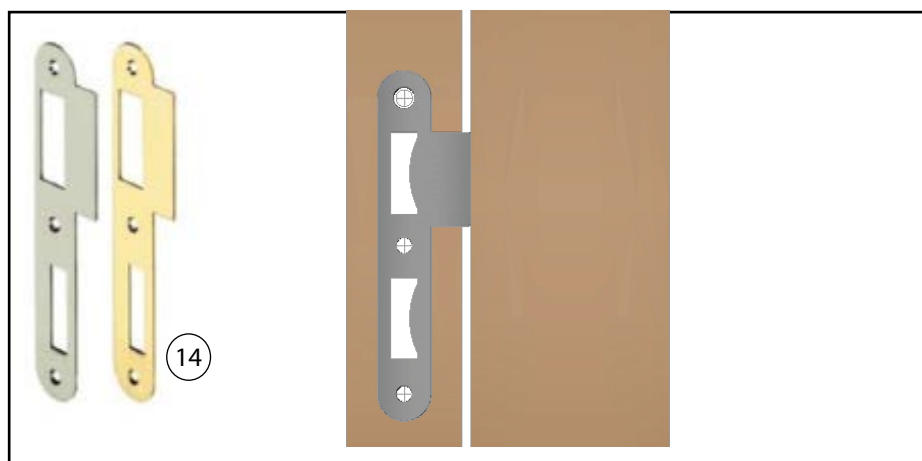
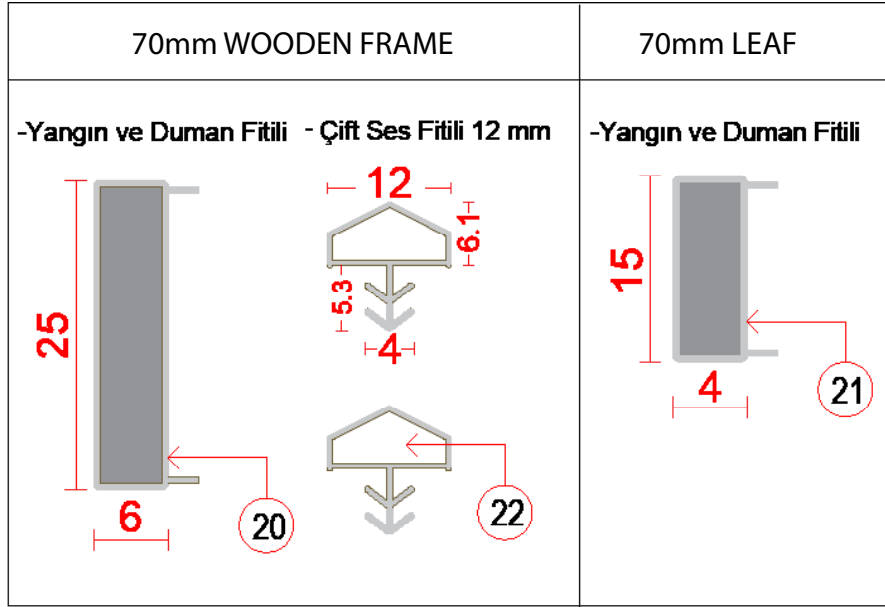


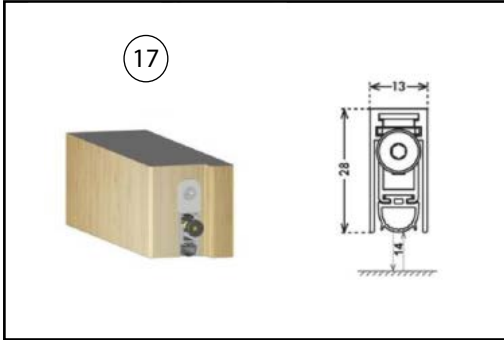
Figure - 2

- **Lock Strike Plate Installation:** The location of the lock strike plate is ready on the leaf. It is mounted with a screw suitable for assembly.

g) Installing Fire Door Hardware



- Fire & Smoke Seals, Acoustic Seal: It is installed on the door leaf during the production stage. It should be checked during assembly.



- Drop-down Seal: It is installed on the door leaf during the production stage. Door-drop-down seal adjustment is made during the installation stage.

- When the door is in closed position, it should be positioned to cover the bottom gap.



- On-Surface Door Closer: The On-Surface Door Closer is installed in accordance with the user manual that comes in the box.

COMPLETING THE INSTALLATION

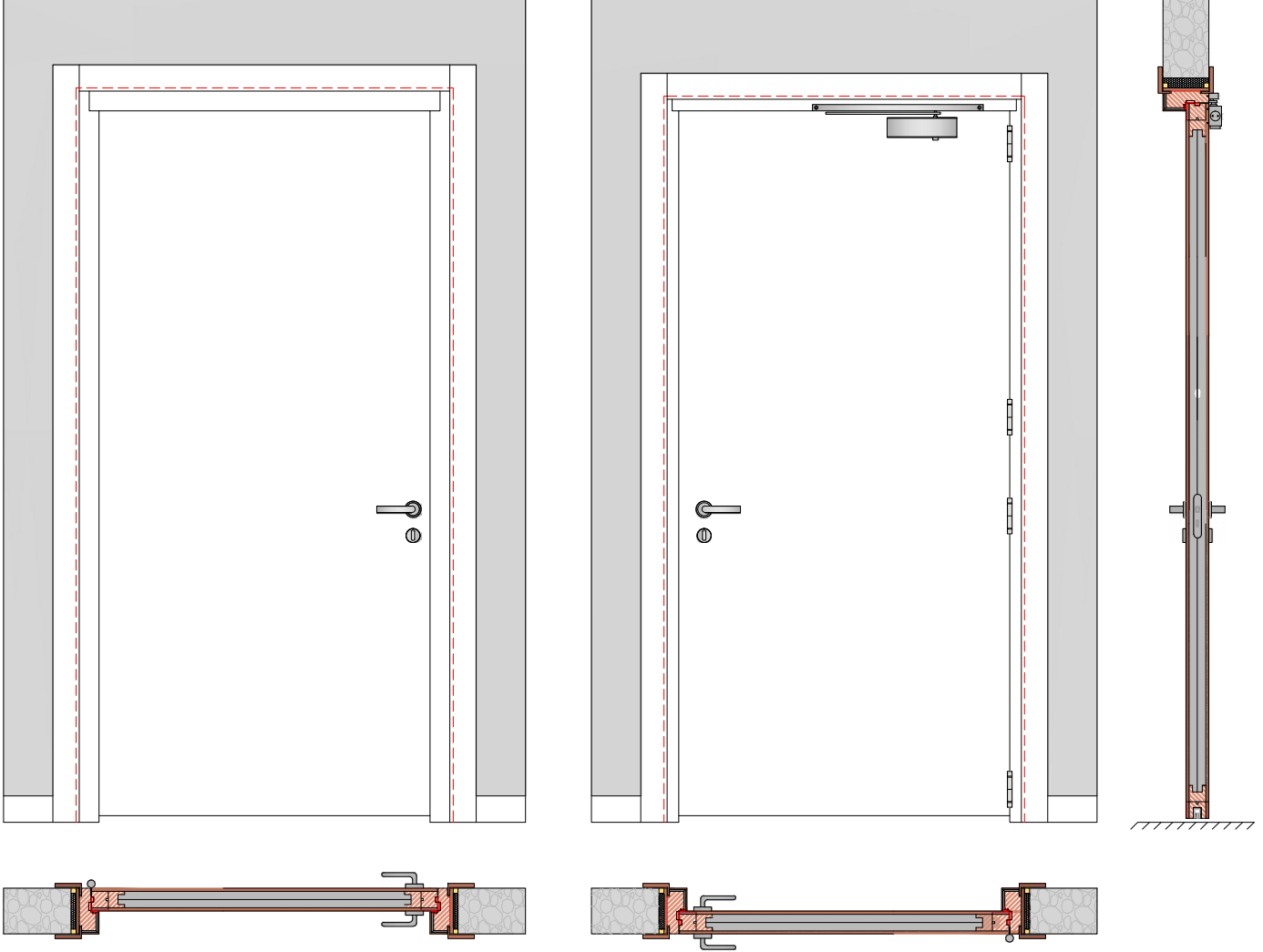
Indoor Life

 90 min

Indoor Life F90 EI190 / EI290

Yüzeysel Kapı Kapa

Genişlik Width	Yükseklik Height	Duvar Kalınlığı Wall Thickness
1200 mm	2200 mm	120-140 mm



INDOOR LIFE F90 EI1 90 / EI2 90

- Door leaf can be opened in both directions.
- On-Surface door closer
- 70mm leaf thickness
- Fire resistant drop-down seal
- 70mm frame
- It can be applied up to 2.70 square meter.
- 38 dB acoustic insulation
- Fire & smoke seal
- Fire resistant door handle
- Normal door handle

All registered or unregistered intellectual property rights such as trademark, patent, logo, design, information and method in this catalog belong to ICM Uluslararası İn. San. ve Dis. Tic. A.Ş. company and are under the protection of national and international law.

The information and methods in this catalog cannot be reproduced, published, copied, presented and/or transferred in any way. The whole or part of the catalog cannot be used on any website without permission. ICM Uluslararası İn. San. ve Dis. Tic. A.Ş. reserves the right to change the features, designs and materials of the products included in the project, provided that it does not change the quality and appearance of the products, when it deems necessary.

Persons accept and undertake that they will not reverse engineer or design / produce similar products inspired by the use of projects and products.



Indoor Life®

ICM Uluslararası İnş. Dan. Paz. San. ve Dış Tic. A.Ş.

Merkez Ofis

Göztepe Mahallesi,
Güzel Sokak,
Heper Apt. No: 2/5
Selamiçeşme
Kadıköy / İstanbul
T: +90 216 302 43 00

Fabrika Showroom

I.T.O.S.B 2.
Cadde No: 7
Tuzla / İstanbul
T: +90 216 427 34 60

Çiftelhavuzlar Showroom

Cemil Topuzlu Caddesi.
No: 30/A
Çiftelhavuzlar
Kadıköy / İstanbul
T: +90 216 386 11 57

indoorlife@indoorlife.com.tr | www.indoorlife.com.tr

[f](#) [i](#) [v](#) /indoorlifeahsapkapi